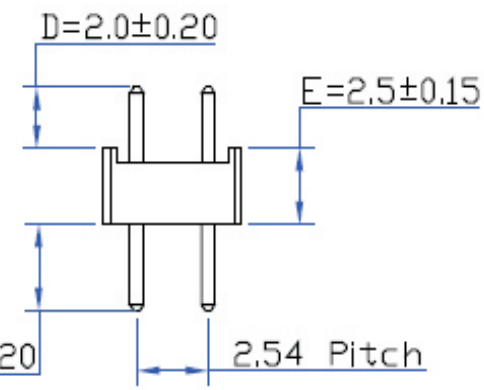
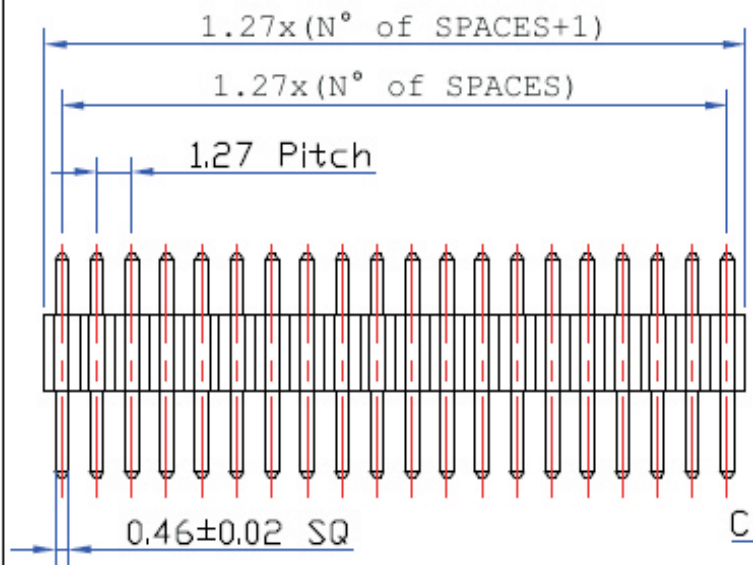


REV	ECN. NO.	APP	DATE
A	EDIÇÃO INICIAL		



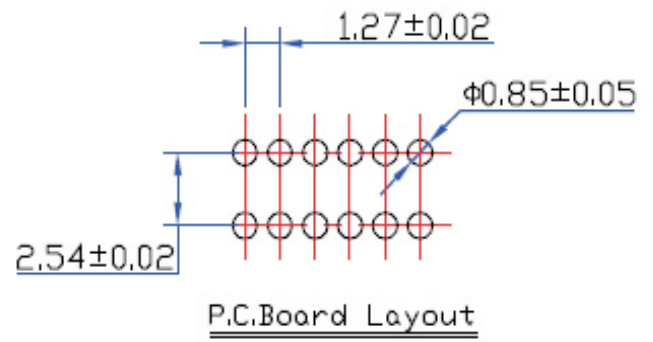
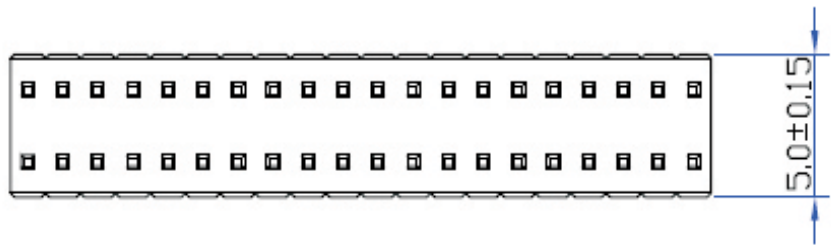
C=2.85±0.20

SPECIFICATIONS

Current Rating: 1 Amps
 Dielectric Withstanding: AC 500V
 Operating Temperature: -40°C to +105°C
 Max Processing Temp: 230° for 30-60 seconds
 (260° for 10 seconds)

HOW TO ORDER:
PIN[][D][R][][S][F][K][][R]
1 2 3 4 5 6 7 8

- 1-Nr. of Ways: Double Row: 02 to 100
- 2-Row Version: (D)-Double Row
- 3-Pin Style: (N)-90° (R)-180°
- 4-Terminal Plating: (E)-Sn (D)-Flash Au (F)-0,38um Au (G)-0,76um Au (C)-0,38um Au/Sn (H)-0,76um Au/Sn
- 5-Pitch: (F)-1,27mm x 2,54mm
- 6-Profile: (K)-2,50mm
- 7-Options: (T)-Tube Packing
- 8-(R) RoHS Compliant



		MATRIX Tecnologia Ind. e Com. Ltda.	
UNIT mm	SCALE	TITLE 1.27x2.54mm PIN HEADER HEIGHT 2.5mm 180° DOUBLE ROW	DATE September 2007
TOLERANCE: ±0.25			APP. BY
		MATL	CHK. BY
		DWG. NO.	DR. BY Diego