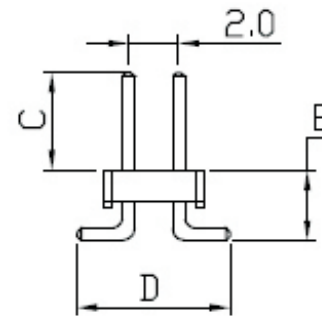
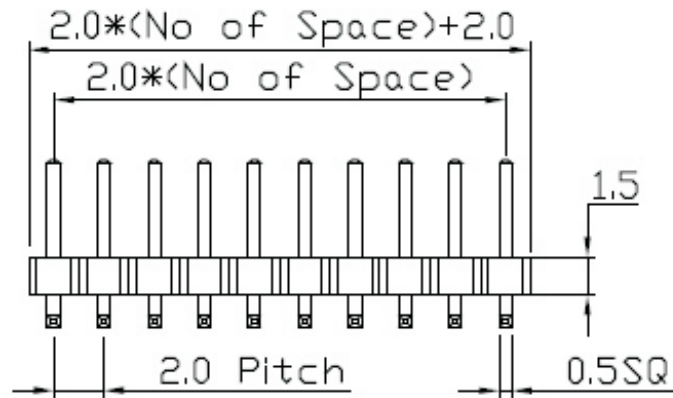
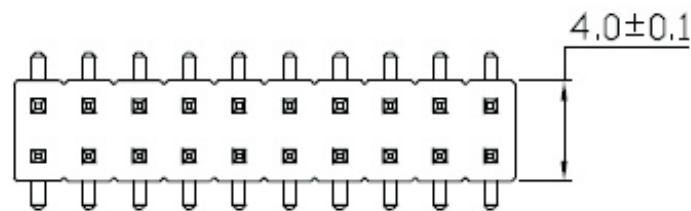


REV	ECN. NO.	APP	DATE
A	EDIÇÃO INICIAL		



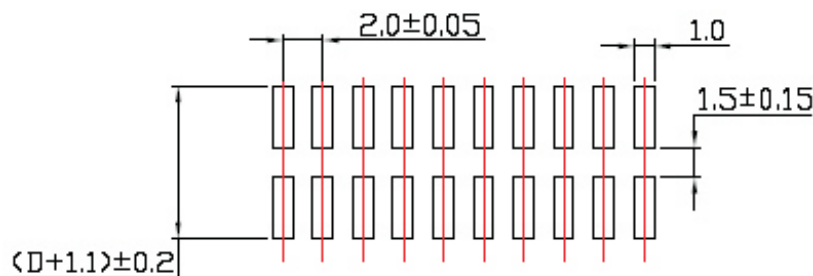
### SPECIFICATIONS

Current Rating: 2 Amps  
 Dielectric Withstanding: AC 500V  
 Operating Temperature: -40°C to +105°C  
 Max Processing Temp: 230° for 30~60 seconds  
 (260° for 10 seconds)


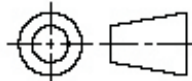


### HOW TO ORDER: PIN-[ ]-[D]-[S]-[ ]-S-2,0-SMD-P1,5-[ ]

- |                                                              |                                                                                                                          |
|--------------------------------------------------------------|--------------------------------------------------------------------------------------------------------------------------|
| 1- Nr. of Ways<br>Single Row: 1 to 40<br>Double Row: 2 to 80 | 4- Terminal Plating:<br>(E)-Sn<br>(D)-FLASH Au<br>(F)-0,38um Au<br>(G)-0,76um Au<br>(C)-0,38um Au/Sn<br>(H)-0,76um Au/Sn |
| 2- Row Version:<br>(S)-Single Row<br>(D)-Double Row          | 5- (R) RoHS Compliant                                                                                                    |
| 3- Pin Style<br>(R)-90°<br>(S)-180°                          |                                                                                                                          |



P.C.Board Layout

 <b>MATRIX Tecnologia Ind. e Com. Ltda.</b>		
UNIT mm	SCALE TITLE 2,00mm PIN HEADER HEIGHT 1,5mm 180° DOUBLE ROW SMD TYPE	DATE September 2007
TOLERANCE: ±0.25		APP. BY
	MATL	CHK. BY
	DWG. NO.	DR. BY Diego