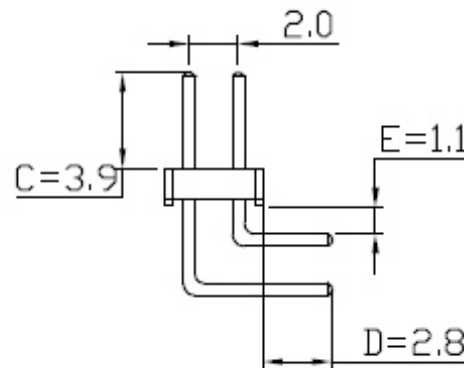
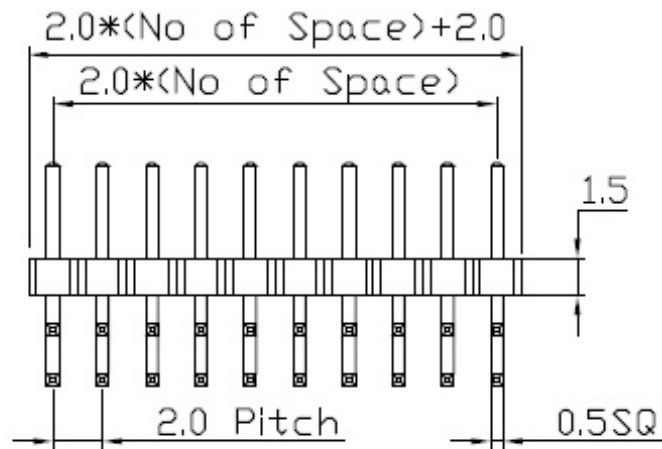


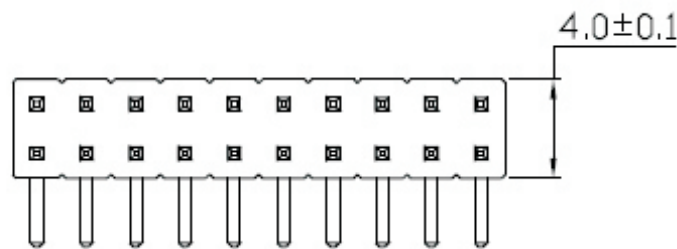


REV	ECN. NO.	APP	DATE
A	EDIÇÃO INICIAL		



### SPECIFICATIONS

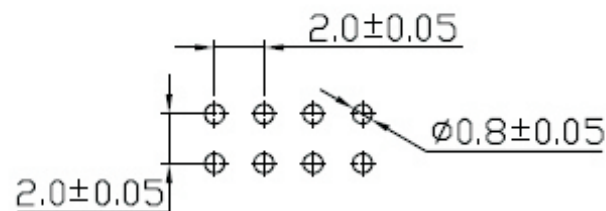
Current Rating: 2 Amps  
 Dielectric Withstanding: AC 500V  
 Operating Temperature: -40°C to +105°C  
 Max Processing Temp: 230° for 30-60 seconds  
 (260° for 10 seconds)



### HOW TO ORDER: PIN-[ ]-[D]-[R]-[ ]-S-2,0-P1,5-[ ]

1    2    3    4                      5

- |  |  |
|--|--|
| 1- Nr. of Ways<br>Single Row: 1 to 40<br>Double Row: 2 to 80 | 4- Terminal Plating:<br>(E)-Sn<br>(D)-FLASH Au<br>(F)-0,38um Au<br>(G)-0,76um Au<br>(C)-0,38um Au/Sn<br>(H)-0,76um Au/Sn |
| 2- Row Version:<br>(S)-Single Row<br>(D)-Double Row          |  |
| 3- Pin Style<br>(R)-90°<br>(S)-180°                          | 5- (R) RoHS Compliant  |



P.C.Board Layout



**MATRIX Tecnologia Ind. e Com. Ltda.**

UNIT	SCALE	TITLE	DATE
mm		2,00mm PIN HEADER HEIGHT 1,5mm 90° DOUBLE ROW	September 2007
TOLERANCE: ±0.25			APP. BY
	MATL		CHK. BY
	DWG. NO.		DR. BY Diego