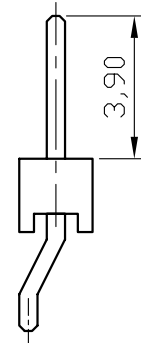
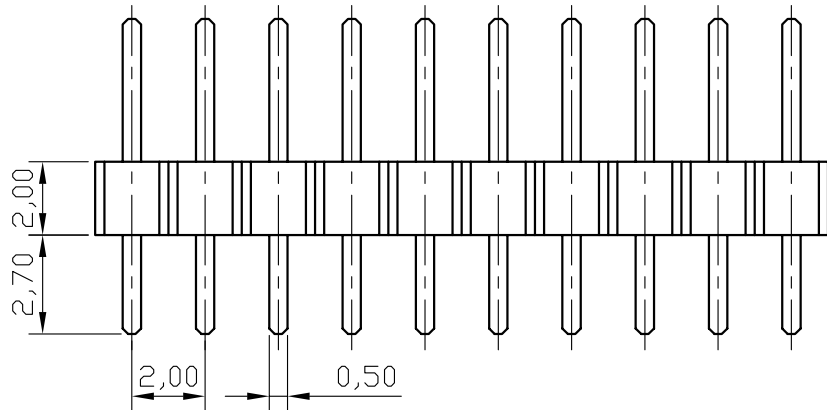


REV/	ECN. NO.	APP	DATE
A	EDIÇÃO INICIAL		



**SPECIFICATIONS**

Current Rating: 2Amp  
 Insulation Resistance: 1000MΩ Min.  
 Dielectric Withstanding: 500V AC/DC  
 Contact Resistance: 20mΩ Max.  
 Operating Temperature: -40°C to 105°C

**MATERIALS**

Contact Material: Copper Alloy  
 Insulation Material: Polyester, UL 94V-0  
 Nylon-6T

**HOW TO ORDER:  
 PIN[ ][S][R][ ]S2D[I][R]  
 1 2 3 4 5 6**

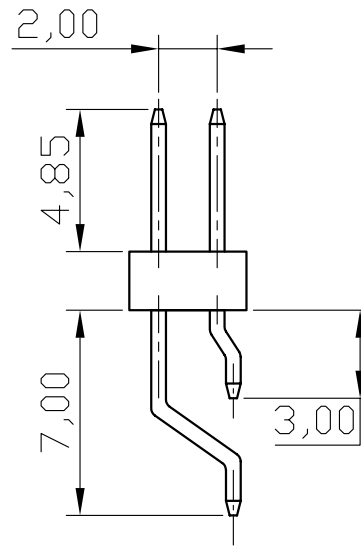
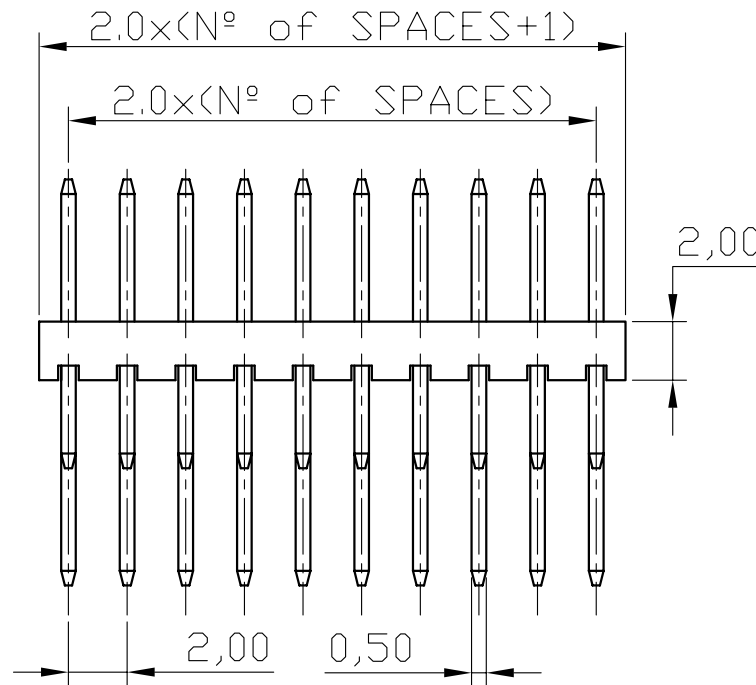
- 1- Nr. of Ways  
Double Row: 2 to 50
- 2- Row Version:  
(S)-Single Row
- 3- Pin Style  
(R)-90°
- 4- Terminal Plating:  
(E)-Sn  
(D)-FLASH Au  
(F)-0,38um Au  
(G)-0,76um Au  
(C)-0,38um Au/Sn  
(H)-0,76um Au/Sn
- 5- Profile:  
(I)-2,00mm
- 6-(R) RoHS Compliant



**MATRIX Tecnologia Ind. e Com. Ltda.**

UNIT mm	SCALE 5:1	TITLE 2,00mm PIN HEADER HEIGHT 2,00mm 90° SINGLE ROW SMD	DATE AUGUST 2007
TOLERANCE: ±0.25			APP. BY
		MATL	CHK. BY
		DWG. NO.	DR. BY DIEGO

REV	ECN. NO.	APP	DATE
A	EDIÇÃO INICIAL		

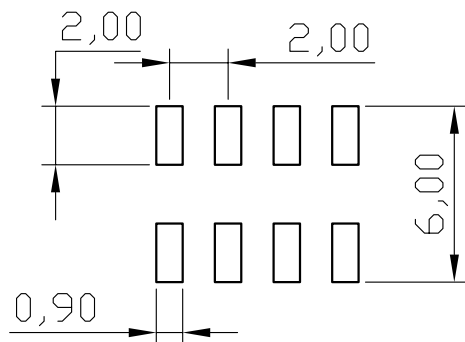
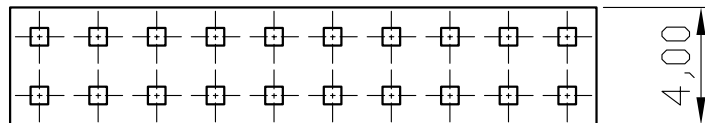


### SPECIFICATIONS

Current Rating: 2Amp  
 Insulation Resistance: 1000MΩ Min.  
 Dielectric Withstanding: 500V AC/DC  
 Contact Resistance: 20mΩ Max.  
 Operating Temperature: -40°C to 105°C

### MATERIALS

Contact Material: Copper Alloy  
 Insulation Material: Polyester, UL 94V-0  
 Nylon-6T



Recommended P.C.Board Layout

### HOW TO ORDER: PIN[ ][D][R][ ]S2D[I][ ][R] 1 2 3 4 5 6 7

- 1- Nr. of Ways  
Double Row: 2 to 50
- 2- Row Version:  
(D)-Double Row
- 3- Pin Style  
(R)-90°
- 4- Terminal Plating:  
(E)-Sn  
(D)-FLASH Au  
(F)-0,38um Au  
(G)-0,76um Au  
(C)-0,38um Au/Sn  
(H)-0,76um Au/Sn
- 5- Profile:  
(I)-2,00mm
- 6- Options:  
(O)-Tray Packing  
(T)-Tube Packing  
(R)-Reel Packing  
(C)-Cap+Tube  
(Y)-With Locating Peg (Tube)  
(P)-With Locating Peg (Cap+Tube)
- 7-(R) RoHS Compliant



**MATRIX Tecnologia Ind. e Com. Ltda.**

0.0±	SCALE	TITLE	DATE
0.00±	UNIT mm	2,0mm PIN HEADER HEIGHT	JUNE 2007
0.000±		2,0mm 90° DOUBLE ROW SMD TYPE	APP. BY
	MATL	CHK. BY	
	DWG. NO.	DR. BY	DIEGO