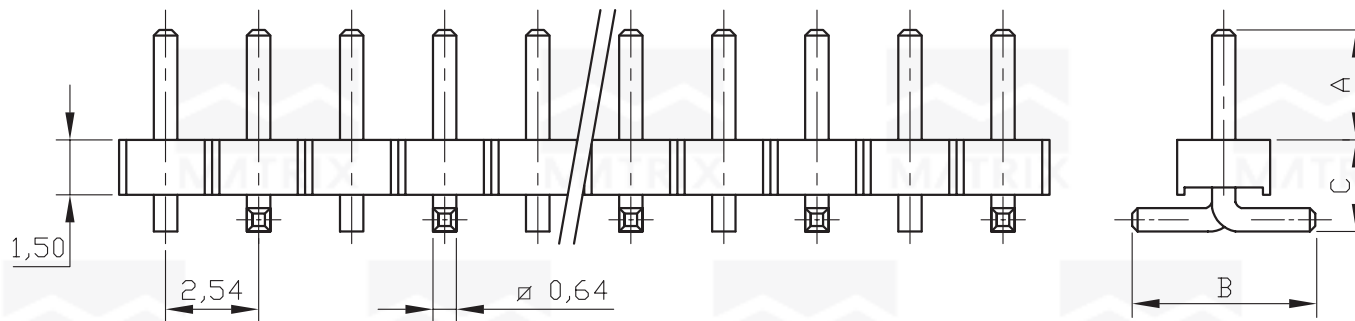


REV	ECN. NO.	APP	DATE
A	EDIÇÃO INICIAL		

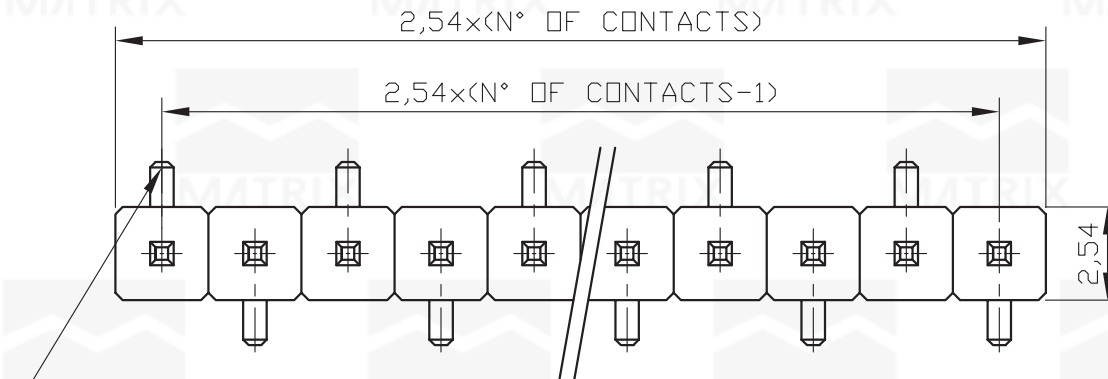


SPECIFICATIONS

Current: 3A
 Operating Temperature: -55°C to 105°C
 Contact Resistance: 20 Milliohms Max.
 Insulation Resistance: 1000 Megaohms Min.
 Withstanding Voltage: AC 1000V RMS

MATERIAL

Housing: Thermoplastic UL 94V-0
 Contact: Copper Alloys

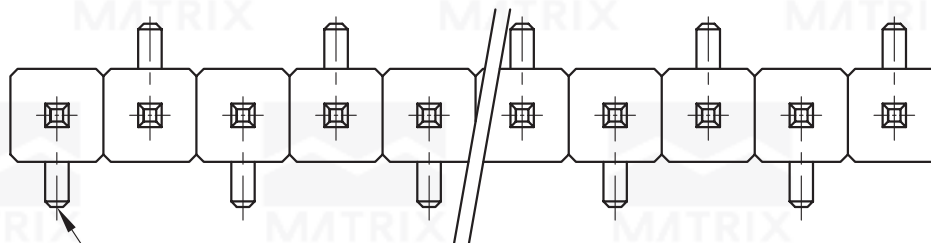


B TYPE

HOW TO ORDER:

PIN-[]-[S]-[R]-[]-S-SMD-[]-P1,5-[]
1 2 3 4 5 6

- 1- Nr. of Ways
Single Row: 1 to 40
- 2- Row Version:
(S)-Single Row
- 3- Pin Style
(N)-90°
(R)-180°
- 4- Terminal Plating:
(E)-Sn
(F)-FLASH Au
(A)-0,38um Au
(B)-0,76um Au
(C)-0,38um Au/Sn
(D)-0,76um Au/Sn
- 5- Type:
(A)-A Type
(B)-B Type
- 6-(R) RoHS Compliant



A TYPE



MATRIX Tecnologia Ind. e Com. Ltda.

UNIT mm	SCALE 5:1	TITLE 2,54mm PIN HEADER HEIGHT 1,5mm 180° SMT SINGLE ROW	DATE JULY 2007
TOLERANCE: ±0.25			APP. BY
		MATL	CHK. BY
		DWG. NO.	DR. BY DINO