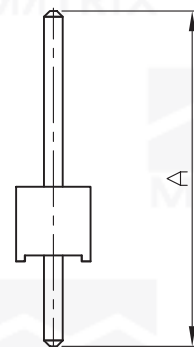
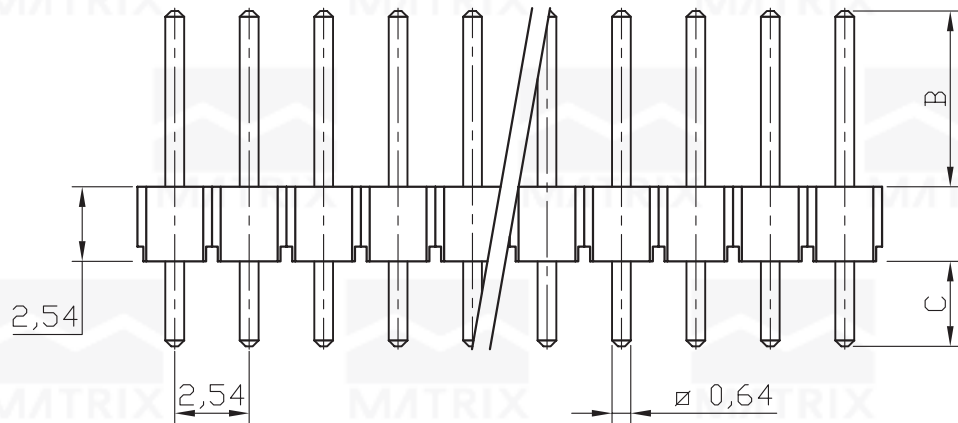


REV/	ECN. NO.	APP	DATE
A	EDIÇÃO INICIAL		

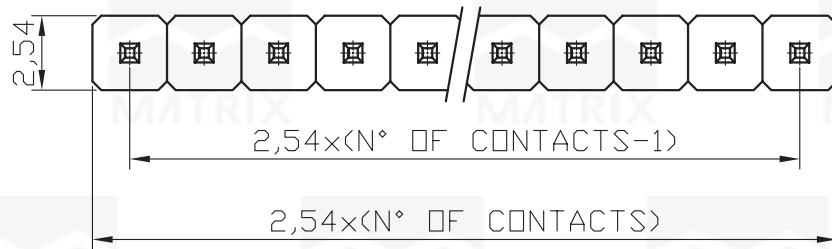


SPECIFICATIONS

Current Rating: 3 Amps
 Dielectric Withstanding: AC 500V
 Operating Temperature: -40°C to +105°C
 Max Processing Temp.: 230° for 30~60 seconds
 (260° for 10 seconds)

MATERIAL

Contact: Brass
 Insulator Material: PBT
 Color: Black

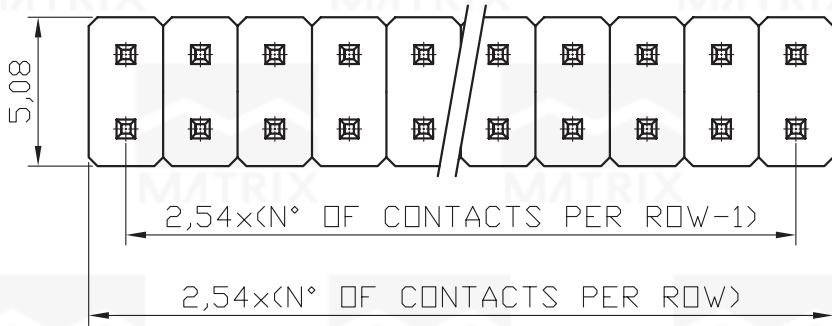
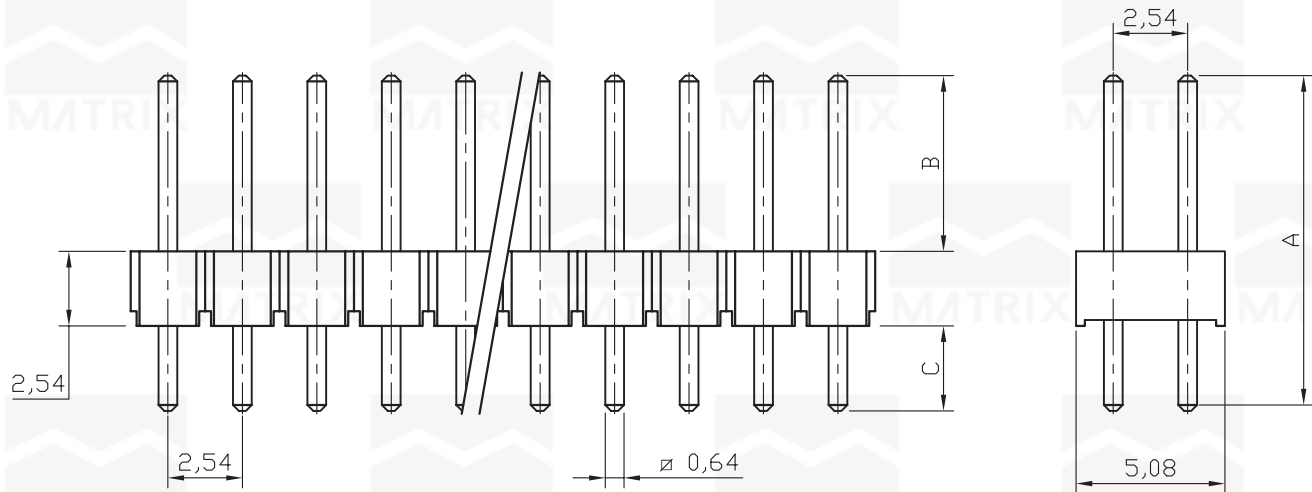


STYLE	A	B	C
S	11,60	6,00	3,10
A	16,00	10,26	3,20
C	14,60	7,90	4,10
E	11,60	9,15	0,00
F	19,70	8,60	8,60
G	16,20	5,20	8,20
H	19,70	6,20	11,00
I	11,60	6,40	2,70
J	14,60	6,20	5,80
L	18,90	8,45	7,45
□	15,60	6,20	6,20
P	14,60	10,00	2,10
Q	13,80	7,90	3,20
R	19,70	13,90	3,20

HOW TO ORDER:
PIN-[]-[S]-[R]-[]-[]-[]
1 2 3 4 5 6

- 1- Nr. of Ways
 Single Row: 1 to 40
 Double Row: 2 to 80
- 2- Row Version:
 (S)-Single Row
 (D)-Double Row
- 3- Pin Style
 (N)-90°
 (R)-180°
- 4- Terminal Plating:
 (E)-Sn
 (F)-FLASH Au
 (A)-0,38um Au
 (B)-0,76um Au
 (C)-0,38um Au/Sn
 (D)-0,76um Au/Sn
- 5- Table
- 6- (R) RoHS Compliant

		MATRIX Tecnologia Ind. e Com. Ltda.	
UNIT mm	SCALE 4:1	TITLE 2,54mm PIN HEADER HEIGHT 2,54mm 180° SINGLE ROW	DATE JULY 2007
TOLERANCE: ±0.25			APP. BY
		MATL	CHK. BY
		DWG. NO.	DR. BY DINO



REV	ECN. NO.	APP	DATE
A	EDIÇÃO INICIAL		

SPECIFICATIONS
 Current Rating: 3 Amps
 Dielectric Withstanding: AC 500V
 Operating Temperature: -40°C to +105°C
 Max Processing Temp: 230° for 30~60 seconds
 (260° for 10 seconds)

MATERIAL
 Contact: Brass
 Insulator Material: PBT
 Color: Black

HOW TO ORDER:
PIN-[]-[D]-[R]-[]-[]-[]
1 2 3 4 5 6

- 1- Nr. of Ways
 Single Row: 1 to 40
 Double Row: 2 to 80
- 2- Row Version:
 (S)-Single Row
 (D)-Double Row
- 3- Pin Style
 (N)-90°
 (R)-180°
- 4- Terminal Plating:
 (E)-Sn
 (F)-FLASH Au
 (A)-0,38um Au
 (B)-0,76um Au
 (C)-0,38um Au/Sn
 (D)-0,76um Au/Sn
- 5- Table
- 6- (R) RoHS Compliant

TABLE 180°

STYLE	A	B	C
S	11,60	6,00	3,10
A	16,00	10,26	3,20
C	14,60	7,90	4,10
E	11,60	9,15	0,00
F	19,70	8,60	8,60
G	16,20	5,20	8,20
H	19,70	6,20	11,00
I	11,60	6,40	2,70
J	14,60	6,20	5,80
L	18,90	8,45	7,45
Q	15,60	6,20	6,20
P	14,60	10,00	2,10
Q	13,80	7,90	3,20
R	19,70	13,90	3,20

MATRIX **MATRIX Tecnologia Ind. e Com. Ltda.**

UNIT mm	SCALE 4:1	TITLE 2,54mm PIN HEADER HEIGHT 2,54mm 180° DOUBLE ROW	DATE JULY 2007
TOLERANCE: ±0.25			APP. BY
		MATL	CHK. BY
		DWG. NO.	DR. BY DINO