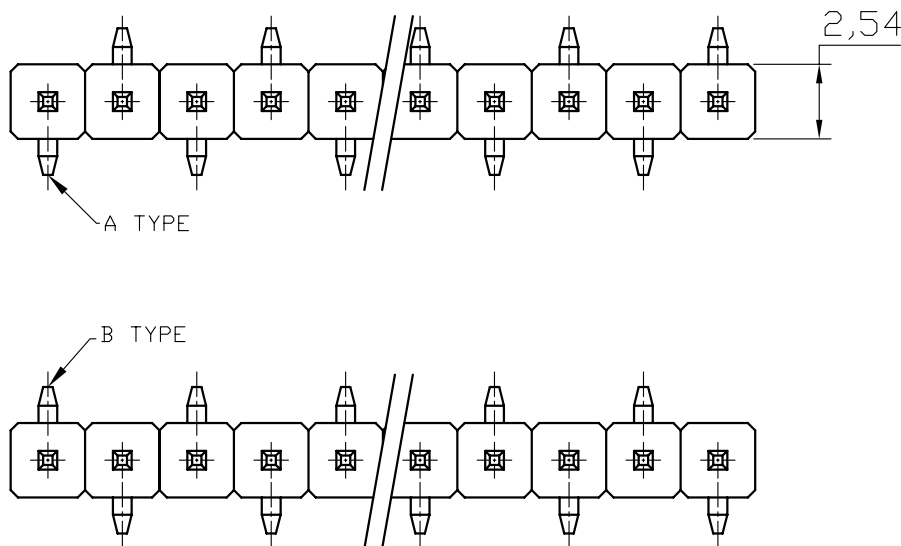
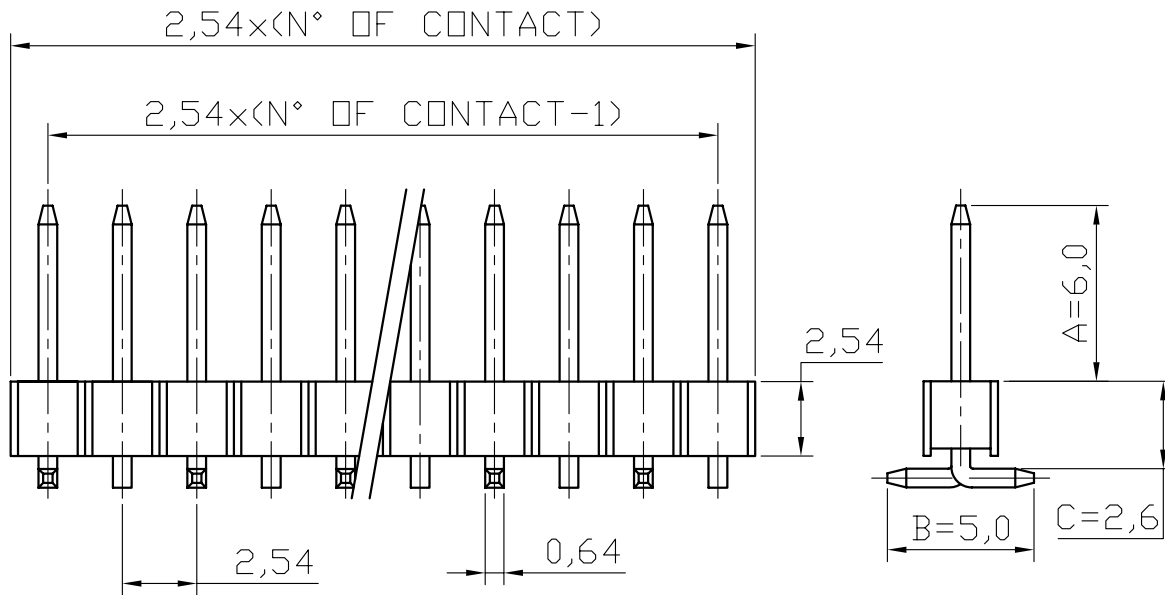


REV	ECN. NO.	APP	DATE
A	EDIÇÃO INICIAL		
B	INCLUIDO OPÇÃO "PLASTIC PACKING" NA CHAVE 6		16/08/10



HOW TO ORDER: PIN[][S][R][]SD[][][R] 1 2 3 4 5 6 7

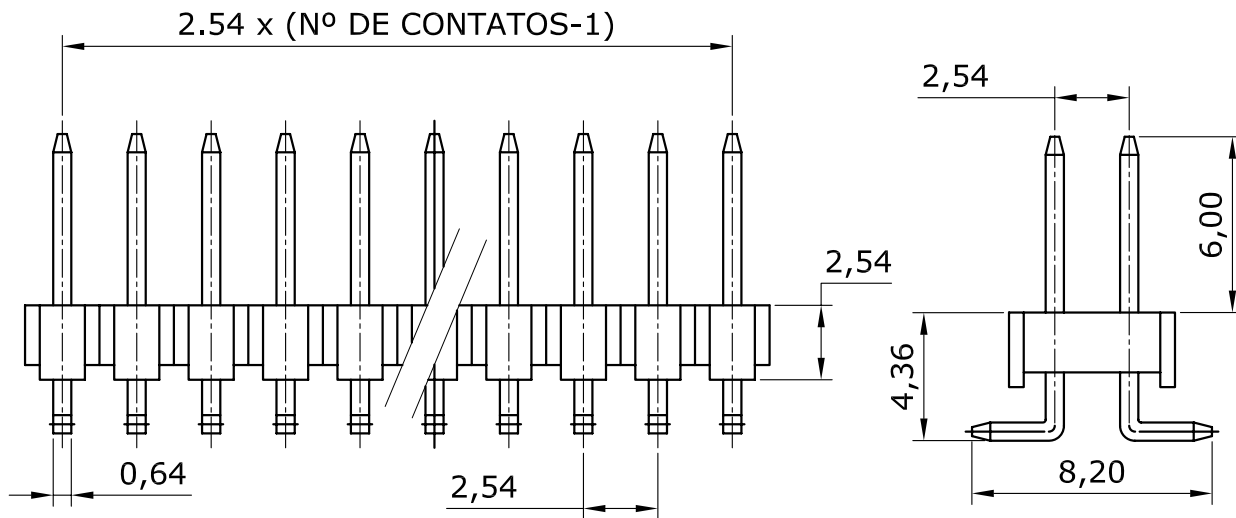
- 1- Nr. of Ways
Single Row: 1 to 40
Double Row: 2 to 80
- 2- Row Version:
(S)-Single Row
(D)-Double Row
- 3- Pin Style
(R)-180°
- 4- Terminal Plating:
(E)-Sn
(F)-FLASH Au
(A)-0,38um Au
(B)-0,76um Au
(C)-0,38um Au/Sn
(D)-0,76um Au/Sn
- 5- Type:
(A)-A Type
(B)-B Type
- 6- Options:
(T)-Tube Packing
(R)-Reel Packing
(C)-Cap + Tube
(Q)-Cap + Reel
()- Plastic Packing
- 7-(R) RoHS Compliant



MATRIX Tecnologia Ind. e Com. Ltda.

UNIT mm	SCALE 4:1	TITLE 2,54mm PIN HEADER HEIGHT 2,54mm 180° SMT SINGLE ROW	DATE JULY 2007
TOLERANCE: ±0.25			APP. BY
		MATL	CHK. BY
		DWG. NO.	DR. BY DINO

REV	ECN. NO.	APP	DATE
A	EDIÇÃO INICIAL		
B	INCLUIDO OPÇÃO "PLASTIC PACKING" NA CHAVE 5		16/08/10



Specification

Current Rating: 3A
 Operating Temperature: -55°C to 105°C
 Contact Resistance: 20 MilliOhms max.
 Insulation Resistance: 1000 MegaOhms min.
 Withstanding Voltage: AC 1000V Rms

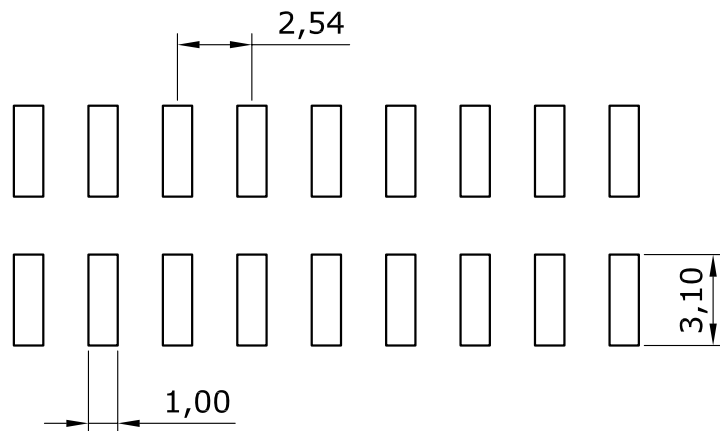
Material

Contact: Copper Alloys
 Housing: Nylon 6T, UL94V-0
 Reflow Temperature of 260°C for 5 seconds


HOW TO ORDER: PIN[][D][R][]SD[][R]

1 2 3 4 5 6

- 1- Nr. of Ways
 - Single Row: 1 to 40
 - Double Row: 2 to 80
- 2- Row Version:
 - (S)-Single Row
 - (D)-Double Row
- 3- Pin Style
 - (R)-180°
- 4- Terminal Plating:
 - (E)-Sn
 - (F)-FLASH Au
 - (A)-0,38um Au
 - (B)-0,76um Au
 - (C)-0,38um Au/Sn
 - (D)-0,76um Au/Sn
- 5- Options:
 - (T)-Tube Packing
 - (R)-Reel Packing
 - (C)-Cap + Tube
 - (Q)-Cap + Reel
 - ()- Plastic Packing
- 6- (R) RoHS Compliant



Recommended PCB Layout

 MATRIX TECNOLOGIA IND. E COM. LTDA.			
UNIT	mm	SCALE	TITLE
TOLERANCE: ±0.25			DATE September 2008
			APP. BY
			CHK. BY
			DR. BY Diego