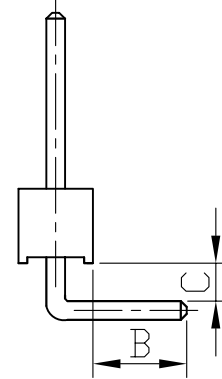
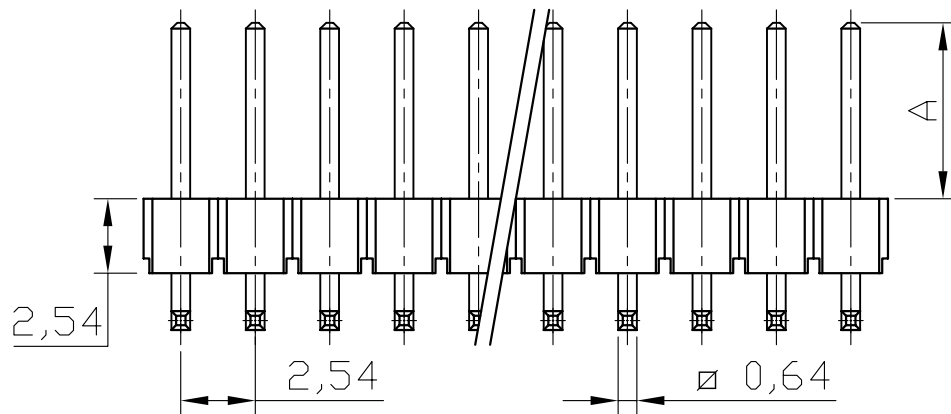


REV/	ECN. NO.	APP	DATE
A	EDIÇÃO INICIAL		
B	REV. OPÇÕES DE EMBALAGENS		12/2010

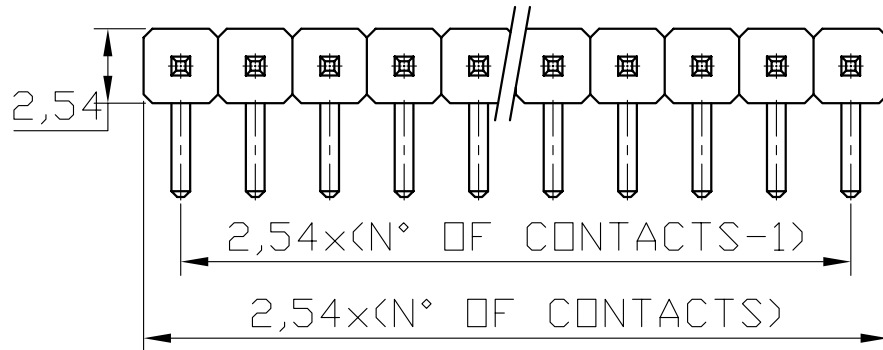


SPECIFICATIONS

Current Rating: 3 Amps
 Dielectric Withstanding: AC 500V
 Operating Temperature: -40°C to +105°C
 Max Processing Temp.: 230° for 30~60 seconds
 (260° for 10 seconds)

MATERIAL

Contact: Brass
 Insulator Material: PBT
 Color: Black



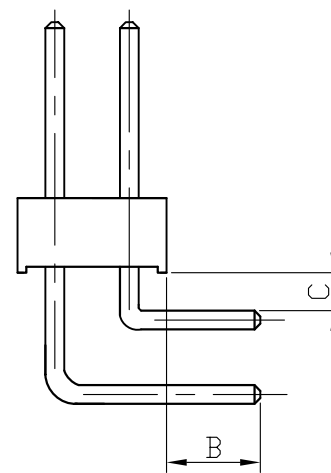
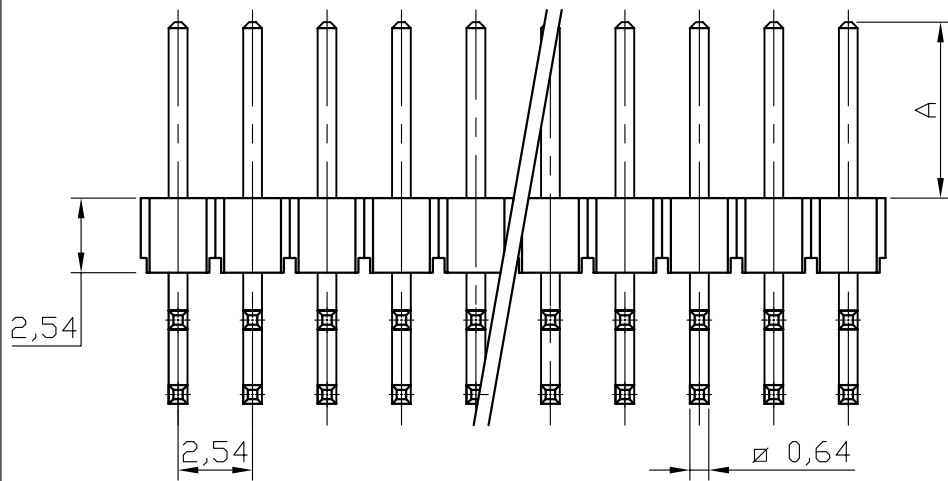
HOW TO ORDER:
PIN[][S][N][][][][][R]
1 2 3 4 5 6 7 8

- 1- Nr. of Ways
 Single Row: 1 to 40
 Double Row: 2 to 80
- 2- Row Version:
 (S)-Single Row
 (D)-Double Row
- 3- Pin Style
 (N)-90°
 (R)-180°
- 4- Terminal Plating:
 (E)-Sn
 (F)-FLASH Au
 (A)-0,38um Au
 (B)-0,76um Au
 (C)-0,38um Au/Sn
 (D)-0,76um Au/Sn
- 5- Table
 6- Type:
 (A)-Type A
 (B)-Type B
- 7- Options:
 (T)-Tube Packing
- 8- (R) RoHS Compliant

TABLE 90°			
STYLE	A	B	C
S	6,10	3,10	1,30
A	6,00	6,20	1,30
B	4,20	8,00	1,30
I	6,50	3,00	0,68
J	10,00	3,40	1,30
M	6,00	8,30	1,30
N	6,00	7,00	1,50
Q	8,00	3,40	1,00
R	7,00	13,00	1,05

		MATRIX Tecnologia Ind. e Com. Ltda.	
UNIT mm	SCALE 4:1	TITLE 2,54mm PIN HEADER HEIGHT 2,54mm 90° SINGLE ROW	DATE DECEMBER 2010
TOLERANCE: ±0.25			APP. BY
		MATL	CHK. BY
		DWG. NO.	DR. BY Gabriel Zandoná

REV/	ECN. NO.	APP	DATE
A	EDIÇÃO INICIAL		
B	INCLUIDO OPÇÃO "T"		06/09/10
C	REV. DIMENSÕES CÓD B		10/11/10
D	REV. OPÇÕES DE EMBALAGENS		02/12/10



SPECIFICATIONS

Current Rating: 3 Amps
 Dielectric Withstanding: AC 500V
 Operating Temperature: -40°C to +105°C
 Max Processing Temp: 230° for 30~60 seconds
 (260° for 10 seconds)

MATERIAL

Contact: Brass
 Insulator Material: PBT
 Color: Black

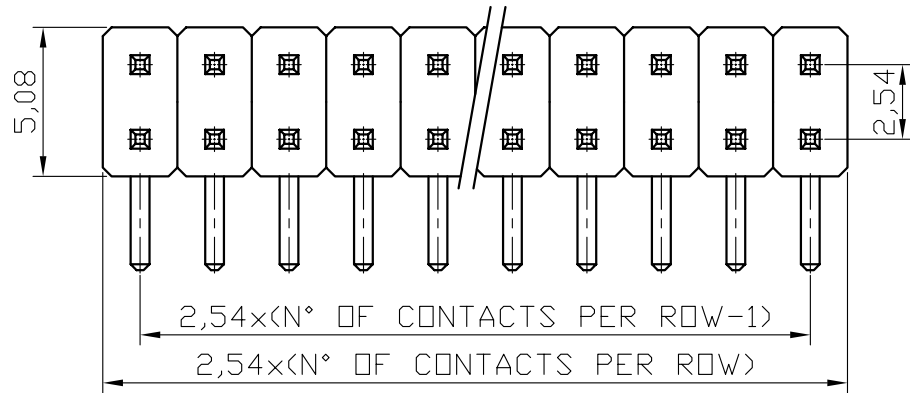


TABLE 90°			
STYLE	A	B	C
S	6,10	3,10	1,30
A	6,00	6,20	1,30
B	4,60	9,40	2,30
I	6,50	3,00	0,68
J	10,00	3,40	1,30
M	6,00	8,30	1,30
N	6,00	7,00	1,50
□	8,00	3,40	1,00
Q	9,30	6,10	6,10
R	7,00	13,00	1,05
T	5,80	1,90	1,18

HOW TO ORDER:
PIN [] [D] [N] [] [] [] [R]
1 2 3 4 5 6 7

- 1- Nr. of Ways
 Single Row: 1 to 40
 Double Row: 2 to 80
- 2- Row Version:
 (S)-Single Row
 (D)-Double Row
- 3- Pin Style
 (N)-90°
 (R)-180°
- 4- Terminal Plating:
 (E)-Sn
 (F)-FLASH Au
 (A)-0,38um Au
 (B)-0,76um Au
 (C)-0,38um Au/Sn
 (D)-0,76um Au/Sn
- 5- Table
- 6- Options:
 (T)-Tube Packing
- 7- (R) RoHS Compliant

		MATRIX Tecnologia Ind. e Com. Ltda.		
				UNIT mm
TOLERANCE: ±0.25		2,54mm PIN HEADER HEIGHT		APP. BY
		2,54mm 90° DOUBLE ROW		CHK. BY
		MATL		DR. BY Gabriel Zandoná
DWG. NO.				