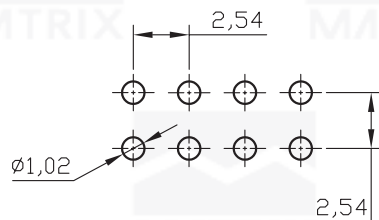
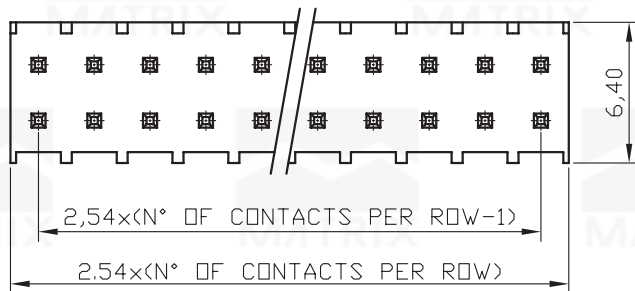
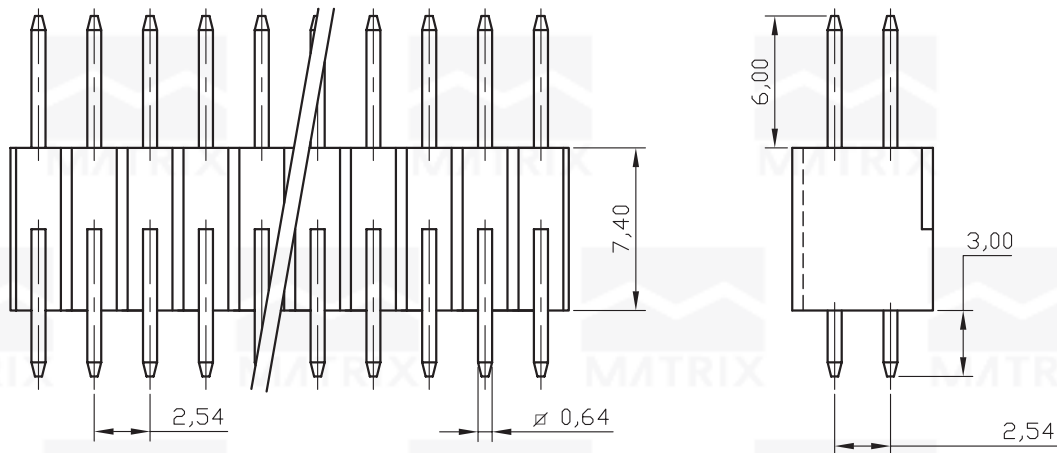


REV/	ECN. NO.	APP	DATE
A	EDIÇÃO INICIAL		



RECOMMENDED P.C. BOARD HOLE LAYOUT

**SPECIFICATIONS**

Electrical  
 Current Rating: 3Amp  
 Dielectric Withstanding: 600V AC/DC  
 Temperature Range: -40°C to +105°C  
 Contact Resistance: 20mΩ max.  
 Insulation Resistance: 1000MΩ min.

**Material**

Insulator: Polyester, UL94V-0, P.B.T  
 Contact: Copper Alloy

**HOW TO ORDER:  
 PIN-[ ]-[D]-[R]-[ ]-[S]-P7.4-[ ]**  
**1 2 3 4**

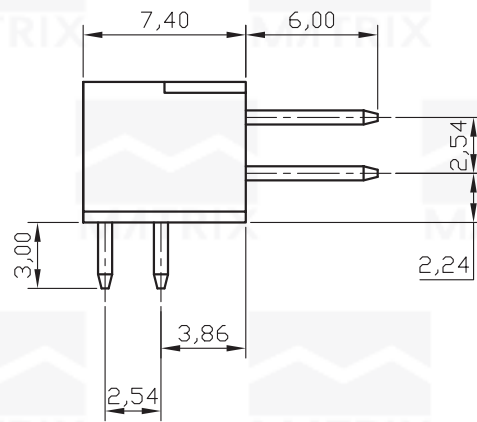
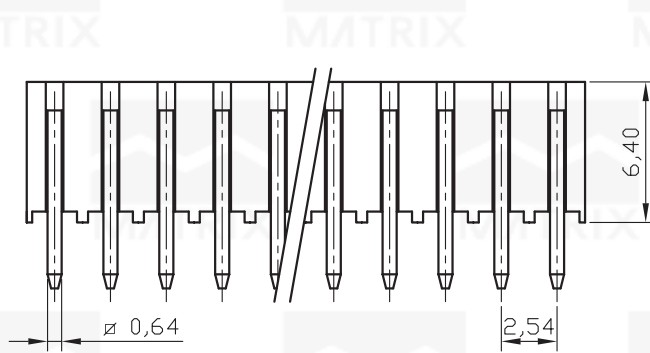
- 1- Nr. of Ways  
 Double Row: 2 to 80
  - 2- Row Version:  
 (D)-Double Row
  - 3- Pin Style  
 (N)-90°  
 (R)-180°
  - 4- Terminal Plating:  
 (E)-Sn  
 (F)-FLASH Au  
 (A)-0,38um Au  
 (B)-0,76um Au  
 (C)-0,38um Au/Sn  
 (D)-0,76um Au/Sn
- 5-(R) RoHS Compliant



**MATRIX Tecnologia Ind. e Com. Ltda.**

0.0±	SCALE	TITLE 2,54mm PIN HEADER HEIGHT 7,4mm 180° DOUBLE ROW	DATE	JUNE 2007
0.00±			APP. BY	
0.000±			UNIT	mm
		MATL	CHK. BY	
		DWG. NO.	DR. BY	DIEGO

REV	ECN. NO.	APP	DATE
A	EDIÇÃO INICIAL		

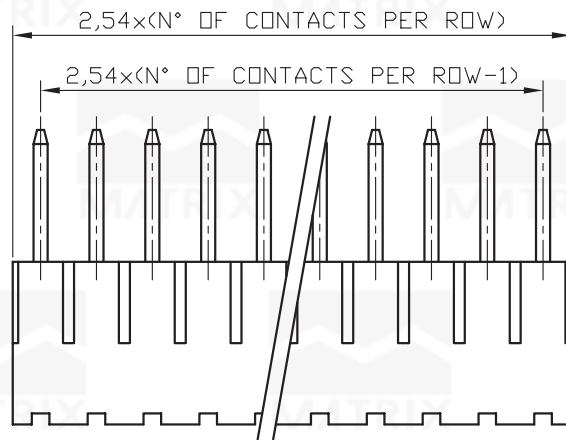


**SPECIFICATIONS**

Electrical  
 Current Rating: 3Amp  
 Dielectric Withstanding: 600V AC/DC  
 Temperature Range: -40°C to +105°C  
 Contact Resistance: 20mΩ max.  
 Insulation Resistance: 1000MΩ min.

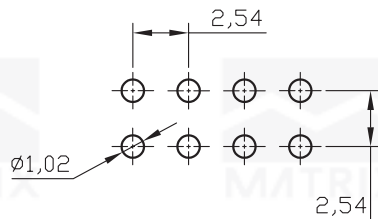
**Material**

Insulator: Polyester, UL94V-0, P.B.T  
 Contact: Copper Alloy



**HOW TO ORDER:**  
**PIN-[ ]-[D]-[N]-[ ]-S-P7,4-[ ]**  
**1 2 3 4 5**

- 1- Nr. of Ways  
Double Row: 2 to 80
- 2- Row Version:  
(D)-Double Row
- 3- Pin Style  
(N)-90°  
(R)-180°
- 4- Terminal Plating:  
(E)-Sn  
(F)-FLASH Au  
(A)-0,38um Au  
(B)-0,76um Au  
(C)-0,38um Au/Sn  
(D)-0,76um Au/Sn  
5-(R) RoHS Compliant



RECOMMENDED P.C. BOARD  
HOLE LAYOUT



**MATRIX Tecnologia Ind. e Com. Ltda.**

0.0±	SCALE	TITLE	DATE	JUNE 2007
0.00±		UNIT mm	2,54mm PIN HEADER HEIGHT	APP. BY
0.000±			7,4mm 90° DOUBLE ROW	CHK. BY
	MATL	DWG. NO.	DR. BY	DIEGO