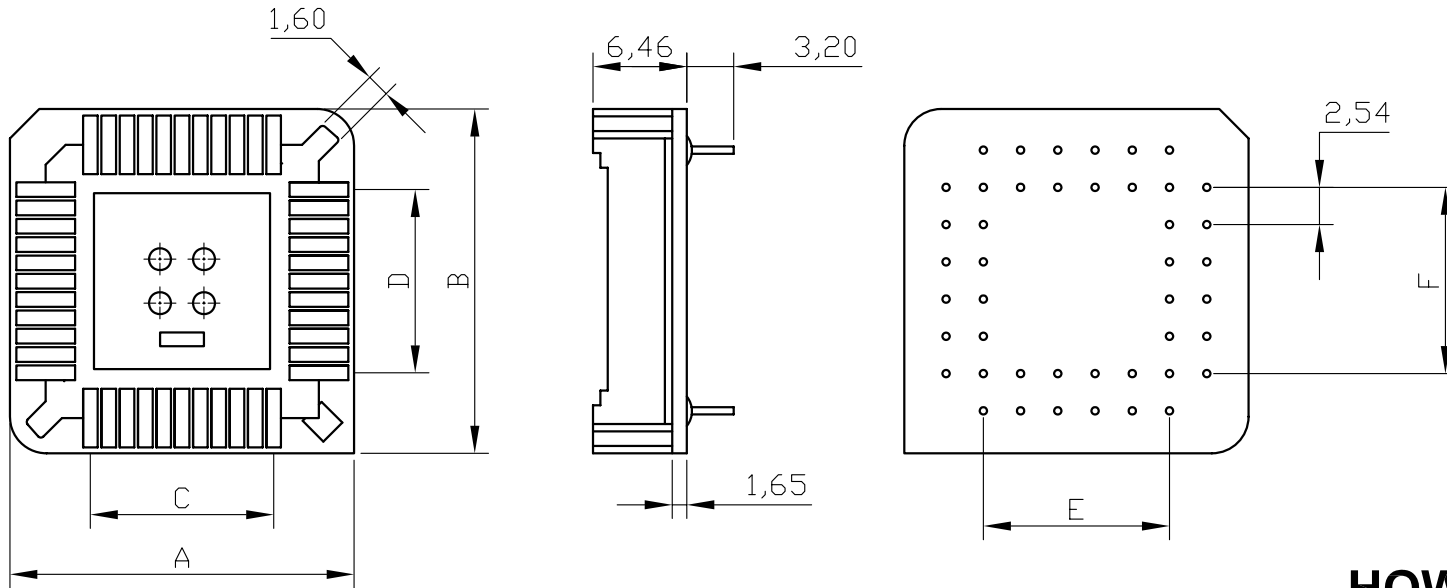


REV	ECN. NO.	APP	DATE
A	EDIÇÃO INICIAL		
B	NOVO CÓDIGO		
C	CÓD. ANT. : PLCCxxR		12/2011

SPECIFICATIONS
 Insulator Material: PPS (UL 94V-0)
 Contact Resistance: 30MΩ MAX at DC 100MA
 Insulator Resistance: 1000MΩ Min. at DC 500V
 Current Rating: 1Amp
 Dielectric Withstanding Voltage: AC 500V for 1 minute
 Temperature Rating: -55°C to 105°C



HOW TO ORDER: PLCC[] [HT][R]

1 2 3

1 - Nr of Ways:
 20, 28, 32, 44, 52, 68, 84


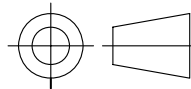
3 - (R) RoHS Compliant

2 - Insulator:
 (HT) - Brown High Temperature (PPS)

Other Option: For Gold Flash
 Contact Plating add letter D after option 2

N° of Ways	A	B	C	D	E	F
20	15,50	15,50	5,08	5,08	5,08	5,08
28	18,04	18,04	7,62	7,62	7,62	7,62
32	18,04	20,54	7,62	10,16	7,62	10,16
44	23,48	23,48	12,70	12,70	12,70	12,70
52	25,88	25,88	15,24	15,24	15,24	15,24
68	31,04	31,04	20,32	20,32	20,32	20,32
84	36,04	36,04	25,40	25,40	25,40	25,40

Tolerance: ±0,25

		MATRIX Tecnologia Ind. e Com. Ltda.	
0.00±	UNIT mm	PLCC Socket 2.54mm Dip Type	DECEMBER 2009
0.000±			APP. BY
		MATL	CHK. BY
		DWG. NO.	DR. BY FELIPE