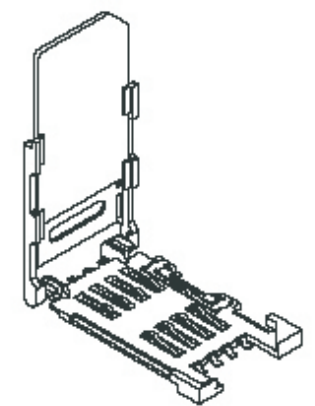


Unit: mm; Tolerances: ±0.15 mm
Reference dimension for PCB layout

REV	ECN. NO.	APP	DATE
A	EDIÇÃO INICIAL		



TECHNICAL CHARACTERISTICS

1. General Characteristics

Dimension: 29.65L x 17.20W x 2.00H mm
Weight: Approx. 0.75 g
Contact principle: Friction technology
Operating position: Shaft up / Down / Horizontal
Mounting System: SMT Type (post optional)
Durability: 10,000 cycles min.

2. Mechanical Characteristics

Insulation material: Thermoplastic, UL 94V-0
RoHS Directive 2002/95/EC Compliant

3. Electrical Characteristics

Number of contacts: 6, 8 pins (optional)
Contact resistance: 50 mΩ typical, 100 mΩ max.
Insulation resistance: >1000 MΩ / 500 VDC
Switch Type: Blade, Normally Open

4. Solderability

Wave: Not applicable
IR reflow: 260°C, 10 sec. Max.
Manual soldering: 360°C, 3 sec. Max.

5. Environmental Characteristics

Operating temperature: - 40°C ~ + 85°C
Operating humidity: 10 % ~ 95 % RH
Storage temperature: - 40°C ~ + 85°C
Storage humidity: 10 % ~ 95 % RH

**HOW TO ORDER:
MX-ICA-567-[]C-[]**

1 2
1- Nr. of Positions
06 or 08
2- (R) RoHS Compliant

		MATRIX TECNOLOGIA IND. E COM. LTDA.	
UNIT	SCALE	TITLE	DATE
mm		MX-ICA-567-XC	SEPTEMBER 2007
TOLERANCE: ±0.25			APP. BY
		MATL	CHK. BY
		DWG. NO.	DR. BY DIEGO