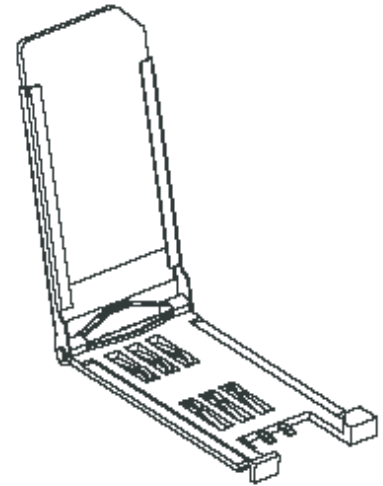


Unit: mm; Tolerances: ± 0.05 mm
Reference dimension for PCB layout

REV	ECN. NO.	APP	DATE
A	EDIÇÃO INICIAL		
B	NOVO CÓDIGO		



TECHNICAL CHARACTERISTICS

1. General Characteristics

Dimension: 29.95L x 16.20W x 2.90H mm
Weight: Approx. 1.29 g
Contact principle: Friction technology
Operating position: Shaft up / Down / Horizont
Mounting System: SMT Type (post optional)
Durability: 5,000 cycles min.

2. Mechanical Characteristics

Insulation material: Thermoplastic, UL 94V-
RoHS Directive 2002/95/EC Compliant

3. Electrical Characteristics

Number of contacts: 6 pins
Contact resistance: 30 m Ω typical, 40 m Ω max.
Insulation resistance: >1000 M Ω / 100 VDC


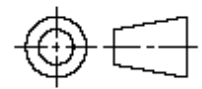
4. Solderability

Wave: Not applicable
IR reflow: 260°C, 10 sec. Max.
Manual soldering: 360°C, 3 sec. Max.

5. Environmental Characteristics

Operating temperature: - 30°C ~ + 70°C
Operating humidity: 10 % ~ 95 % RH
Storage temperature: - 40°C ~ + 85°C
Storage humidity: 10 % ~ 95 % RH

**HOW TO ORDER:
ICA5806CR**

 MATRIX TECNOLOGIA IND. E COM. LTDA.			
UNIT	SCALE	TITLE	DATE MARCH 2010
mm		ICA5806CR	APP. BY
TOLERANCE: ± 0.25			CHK. BY
		MATL	DR. BY FELIPE
		DWG. NO.	