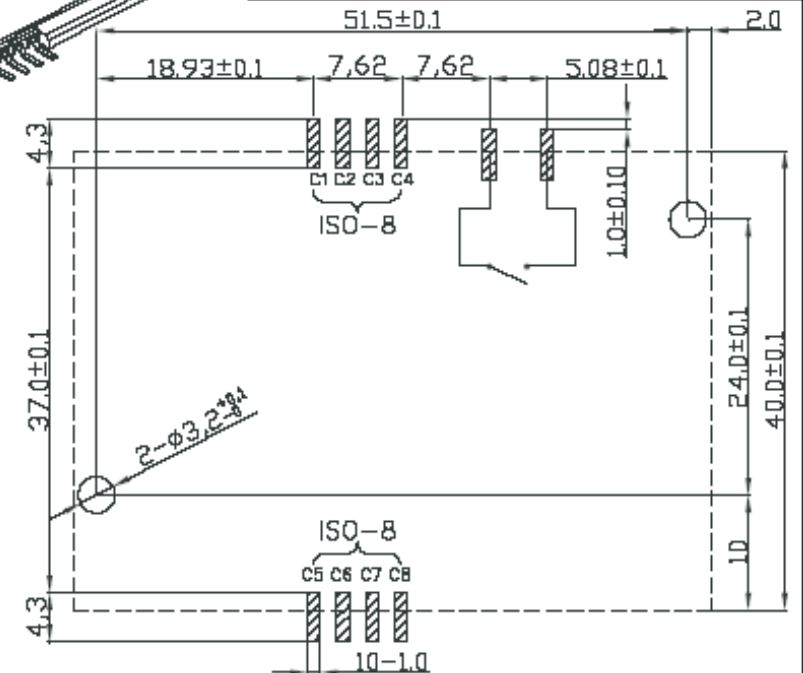
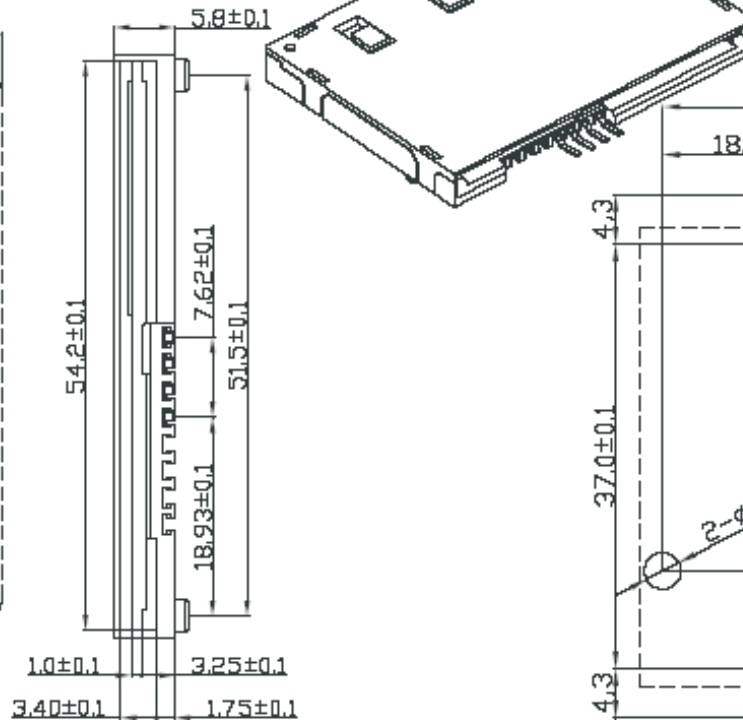
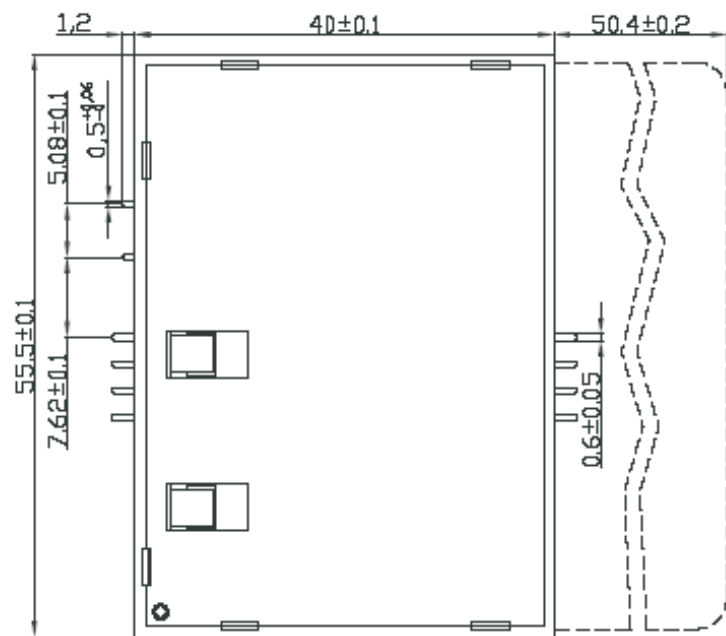
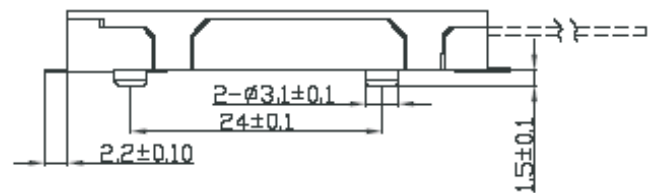


REV	ECN. NO.	APP	DATE
A	EDIÇÃO INICIAL		
B	NOVO CÓDIGO		



Unit: mm; Tolerances:  $\pm 0.15$  mm  
Reference dimension for PCB layout



## HOW TO ORDER: ICA7038C[ ]R

1  
1- Pin tyle  
(TH) Thru-Hole  
(SMD) SMT Type

### TECHNICAL CHARACTERISTICS

#### 1. General Characteristics

Dimension: 55.50L x 40.00W x 5.80H mm  
Weight: Approx. 11.5 g  
Contact principle: Landing technology  
Operating position: Shaft up / Down / Horizontal  
Mounting System: Thru-Hole or SMT Type  
Durability: 500,000 cycles min.

#### 2. Mechanical Characteristics

Insulation material: Thermoplastic, UL 94V-0  
RoHS Directive 2002/95/EC Compliant

#### 3. Electrical Characteristics

Number of contacts: 8 pins  
Contact resistance: 50 m $\Omega$  typical, 100 m $\Omega$  max.  
Insulation resistance: >1000 M $\Omega$  / 500 VDC  
Switch type: Blade  
Operation: Normally Open

#### 4. Solderability

Wave: Not applicable  
IR reflow: 260°C, 10 sec. Max.  
Manual soldering: 360°C, 3 sec. Max.

#### 5. Environmental Characteristics

Operating temperature: -40°C ~ +85°C  
Operating humidity: 10% ~ 95% RH  
Storage temperature: -40°C ~ +85°C  
Storage humidity: 10% ~ 95% RH



MATRIX TECNOLOGIA IND. E COM. LTDA.

UNIT	SCALE	TITLE	DATE
mm		ICA7038C X R	MARCH 2010
TOLERANCE: $\pm 0.25$			APP. BY
	MATL		CHK. BY
	DWG. NO.		DR. BY FELIPE