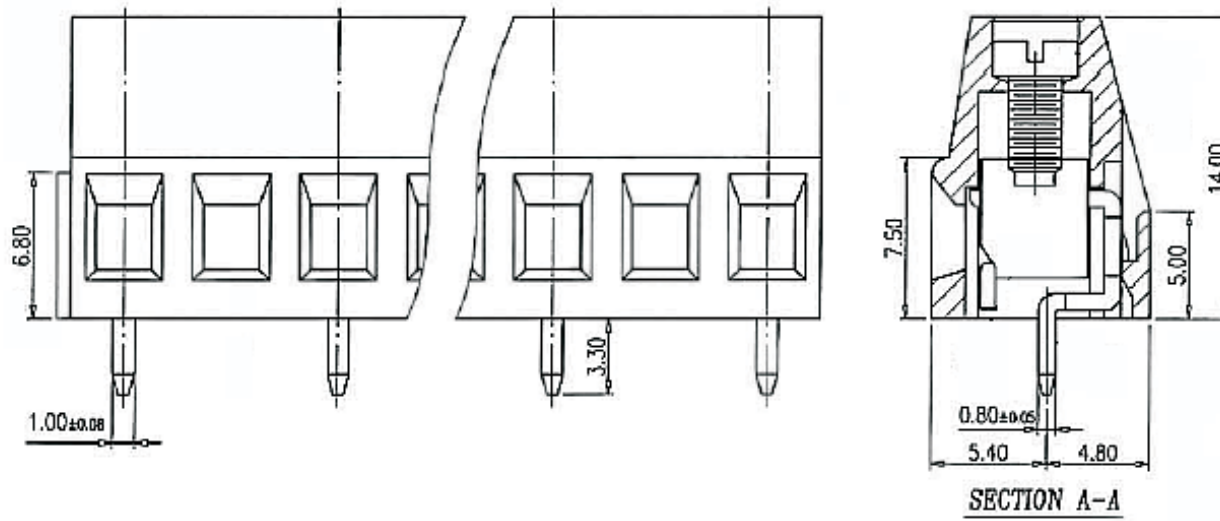
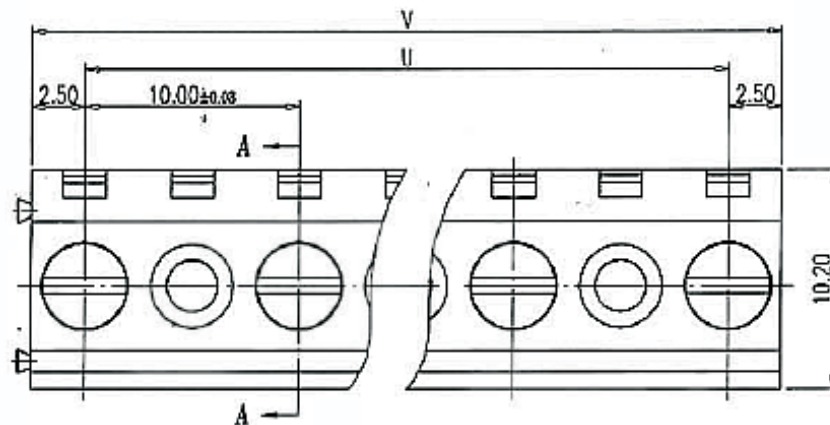


REV	ECN. NO.	APP	DATE
A	EDIÇÃO INICIAL		
B	NOVO CÓDIGO		



NOTES:

1. Rating: 300V :10A (IEC250V 24A)
PITCH: 10.00mm
2. Insulation Withstands Voltage:
AC 2000V/MIN
3. Insulation Resistance:
500MΩ or more at DC500V
4. Using Temperature Range:
-40°C~+105°C
5. Suitable Electric Wire:
24~12AWG(IEC 0.5~2.5mm²)
6. Screw Torque Value:5 kgf-cm(MAX)



HOW TO ORDER:
5523[]C10R
1

1- Nr. of Ways

P	2	3	4	5	6	7	8	9	10	11	12	13	14	15	16
U	10.0	20.0	30.0	40.0	50.0	60.0	70.0	80.0	90.0	100.0	110.0	120.0	130.0	140.0	150.0
V	15.0	25.0	35.0	45.0	55.0	65.0	75.0	85.0	95.0	105.0	115.0	125.0	135.0	145.0	155.0

		MATRIX TECNOLOGIA IND. E COM. LTDA.	
UNIT mm	SCALE	TITLE 10mm P.C.B. TERMINAL BLOCK 180°	DATE JANUARY 2010
TOLERANCE: ±0.25			APP. BY
		MATL	CHK. BY
		DWG. NO.	DR. BY Felipe