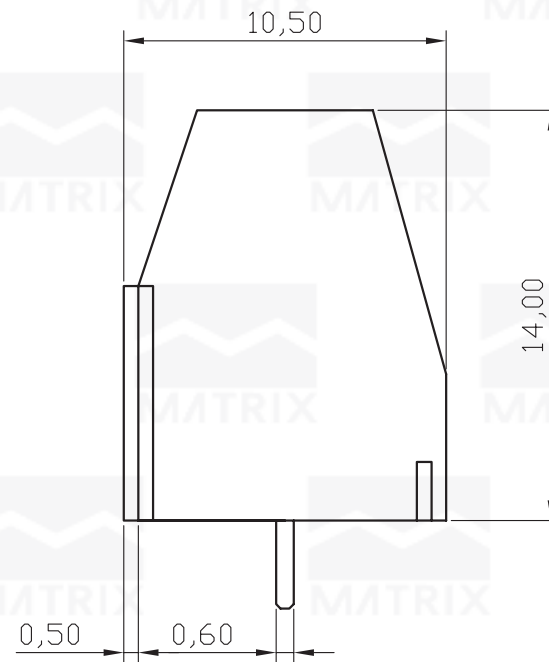
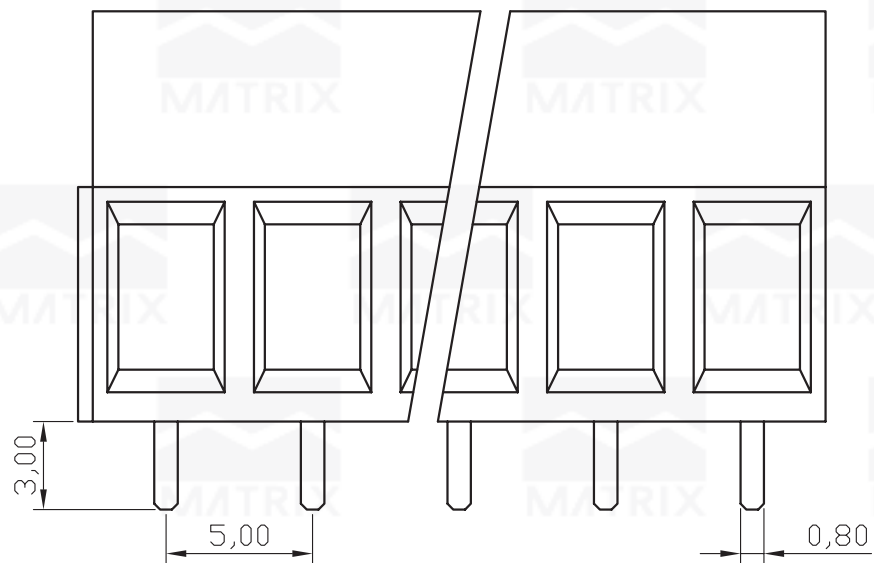
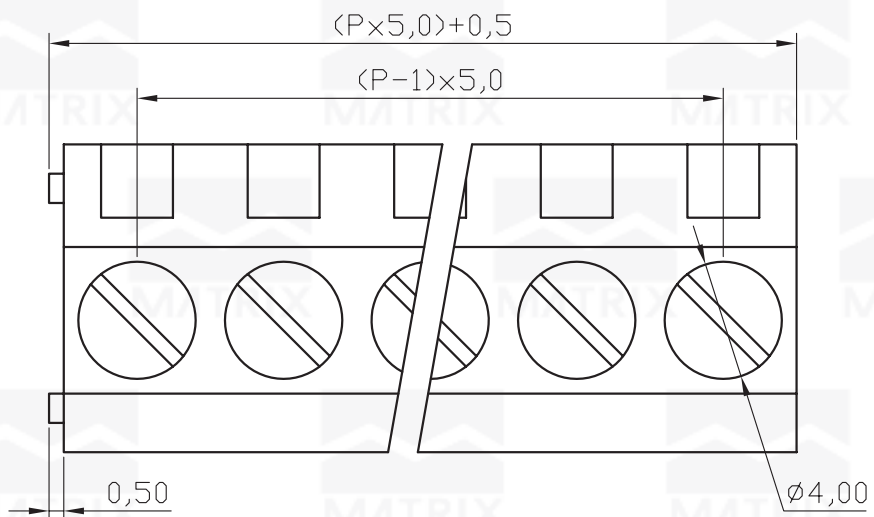


REV	ECN. NO.	APP	DATE
A	EDIÇÃO INICIAL		



SPECIFICATIONS

WIRE RANGE AWG:16-22 STR
 RATING:10 AMPERES, 300 VAC
 INSULATION WITHSTANDS VOLTAGE: AC 2000V/MIN
 INSULATION RESISTENCE: 500M Ω OR MORE AT DC
 500V FEATURES

MATERIAL

BODY MATERIAL: THERMOPLASTIC (UL 94V-0)
 TERMINALS: TIN PLATED BRASS
 SCREWS ZINC PLATED STEEL

HOW TO ORDER:

MX-5523-[]-14-[]

1 2

1- Nr. of Ways
 2- (R)-RoHS Compliant



MATRIX Tecnologia Ind. e Com. Ltda.

UNIT mm	SCALE 4:1	TITLE 5,0mm TERMINAL BLOCK 180° H=14,00mm	DATE August 2007
TOLERANCE: $\pm 0,25$			APP. BY
		MATL	CHK. BY
		DWG. NO.	DR. BY Diego