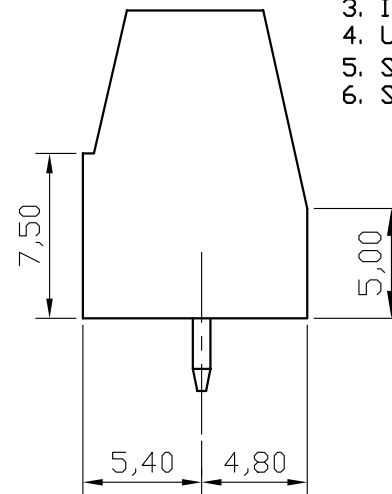
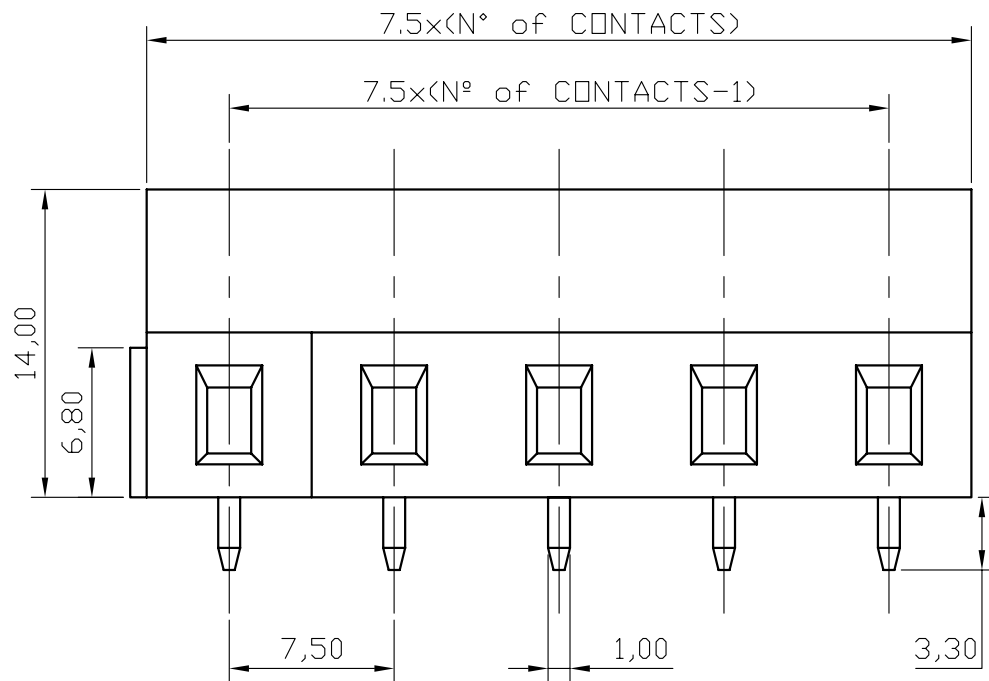
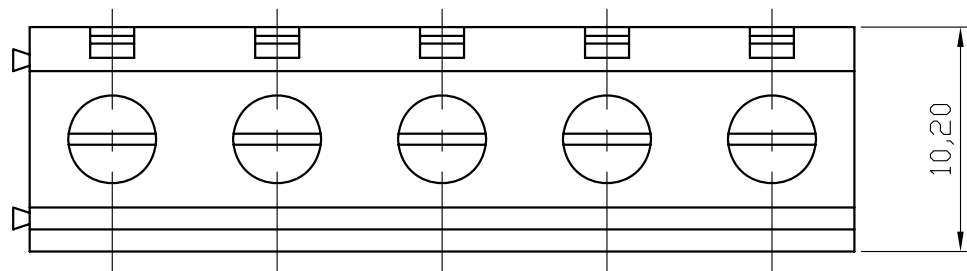


REV	ECN. NO.	APP	DATE
A	EDIÇÃO INICIAL		
B	NOVO CÓDIGO		



NOTES:

1. Rating: 300V 10A (IEC250V 10A) Pitch: 7.5mm
2. Insulation Withstanding Voltage: AC 2000V/Min.
3. Insulation Resistance: 500MΩ or more at DC500V
4. Using Temperature Range: -40°C to 105°C
5. Suitable Electric Wire: 24~12AWG (IEC 0.5~2.5mm²)
6. Screw Torque Value: 4Kg-cm (Max.)



HOW TO ORDER:


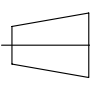
5523[]C7.5R

1

1- Nr. of Ways



MATRIX Tecnologia Ind. e Com. Ltda.

0.0±	SCALE	TITLE 7.5mm TERMINAL BLOCK 180° H=14.0mm	DATE	JANUARY 2010
0.00±	UNIT mm		APP. BY	
0.000±			MATL	CHK. BY
		DWG. NO.	DR. BY	FELIPE