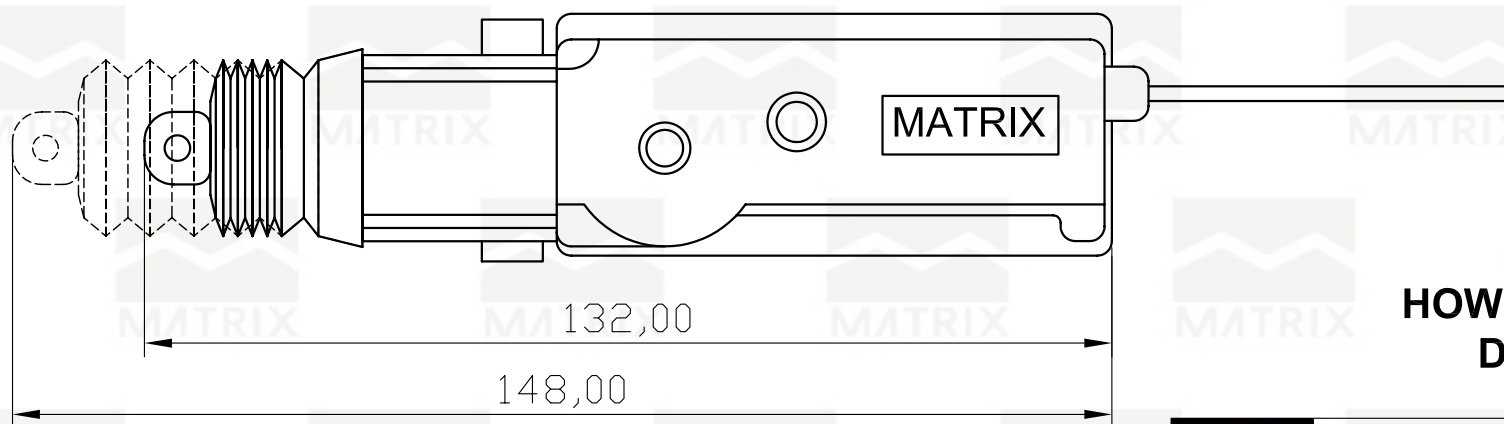
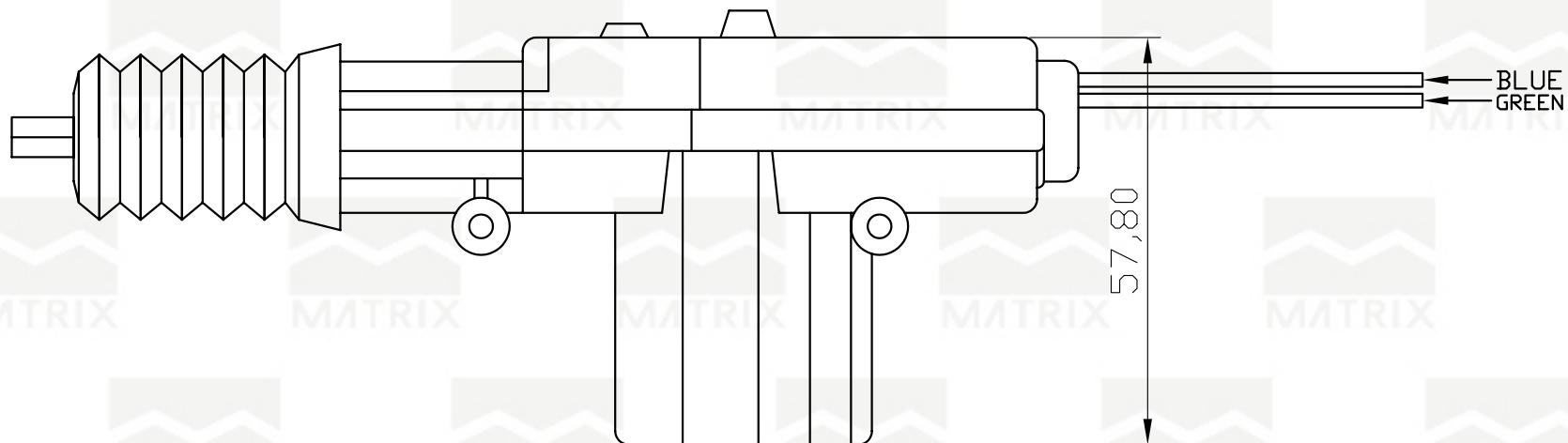


REV	ECN. NO.	APP	DATE
A	EDIÇÃO INICIAL		



**HOW TO ORDER:
DA-MM2F**



MATRIX Tecnologia Ind. e Com. Ltda.

UNIT mm

SCALE 1:1

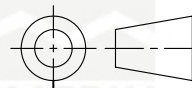
TITLE

DA-MM2F

DATE AUGUST 2007

TOLERANCE

APP. BY



MATL

CHK. BY

DWG. NO.

DR. BY DINO