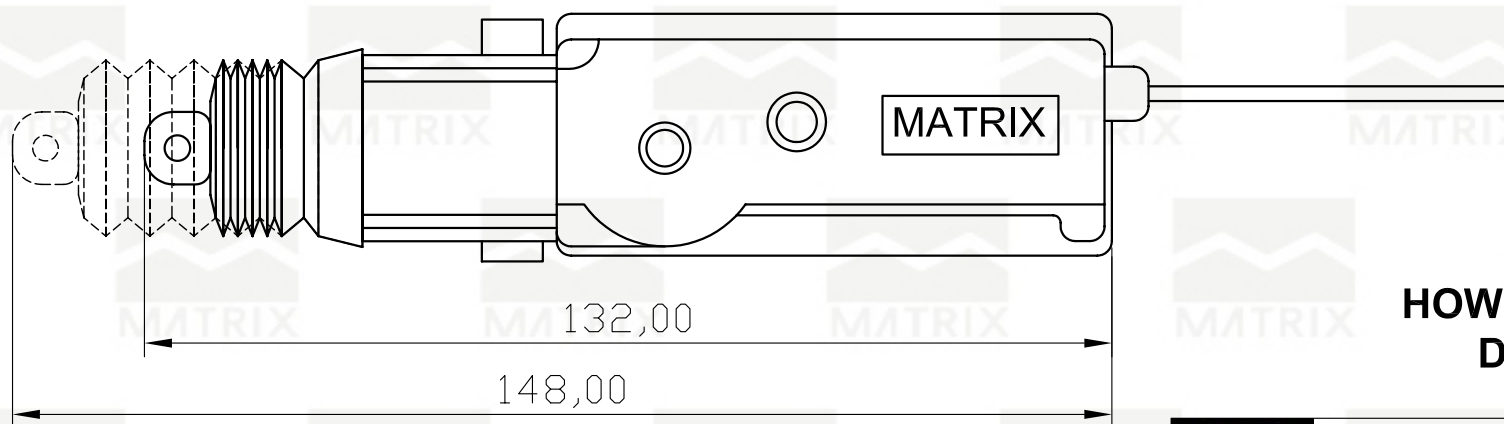
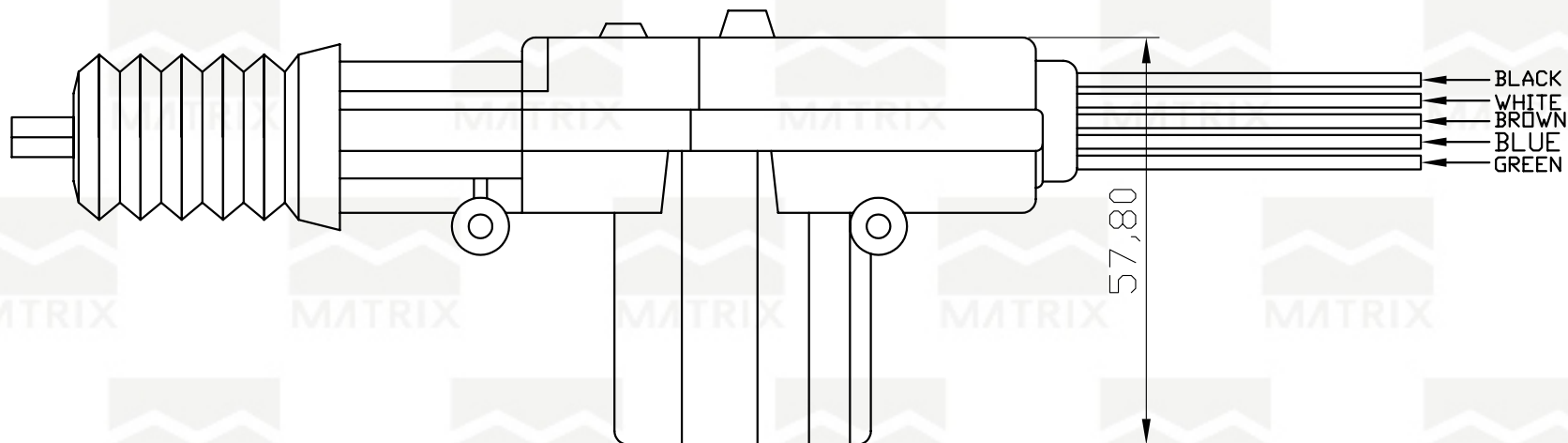


REV	ECN. NO.	APP	DATE
A	EDIÇÃO INICIAL		



**HOW TO ORDER:  
DA-MM5F**



**MATRIX Tecnologia Ind. e Com. Ltda.**

UNIT mm

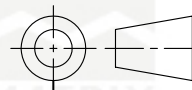
SCALE 1:1

TITLE DA-MM5F

DATE AUGUST 2007

TOLERANCE

APP. BY



MATL

CHK. BY

DWG. NO.

DR. BY DINO