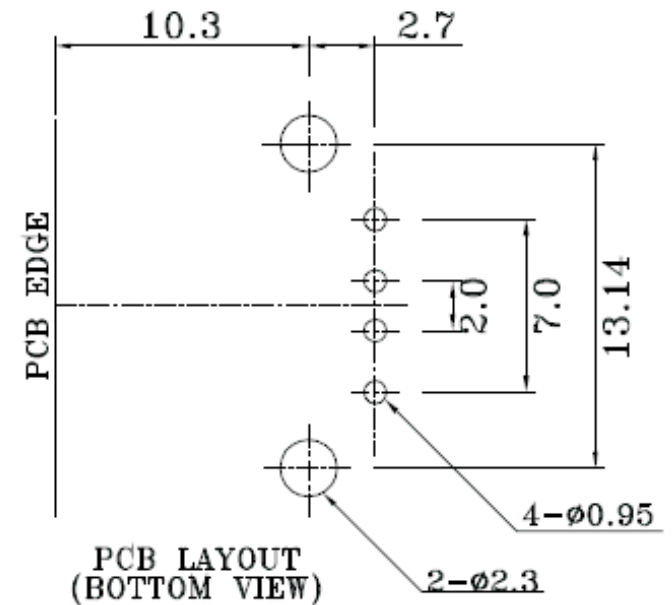
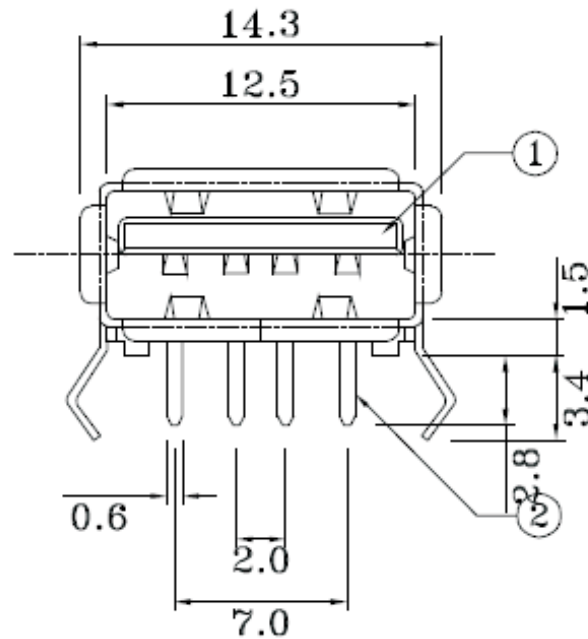
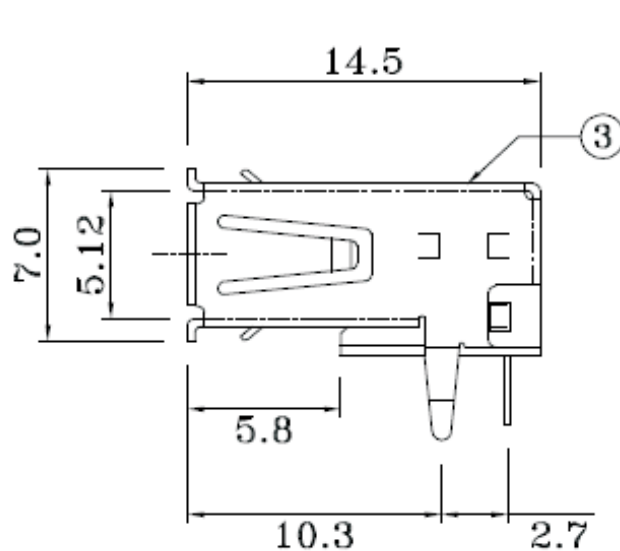


REV	ECN. NO.	APP	DATE
A	EDIÇÃO INICIAL		
B	NOVO CÓDIGO		



**HOW TO ORDER:
4404AFRB4R**

NO.	NAME	MATERIAL	FINISH	REMARK	Q'TY
1	HOUSING	P.B.T. C.F.	BLACK/WHITE		1
2	PIN TERM.	PHOS. BRONZE T:0.25	GOLD/TIN PLATED	NI:1-1.5u;TIN:3u GOLD:1-3u"	4
3	SHELL	BRASS T:0.3	NICKEL PLATED	NI:2~3u	1

UNIT		SCALE	TITLE	DATE
mm			USB A Type Female 90° 04 Contacts	JANUARY 2010
TOLERANCE: ±0.25				APP. BY
			MATL	CHK. BY
			DWG. NO.	DR. BY Felipe