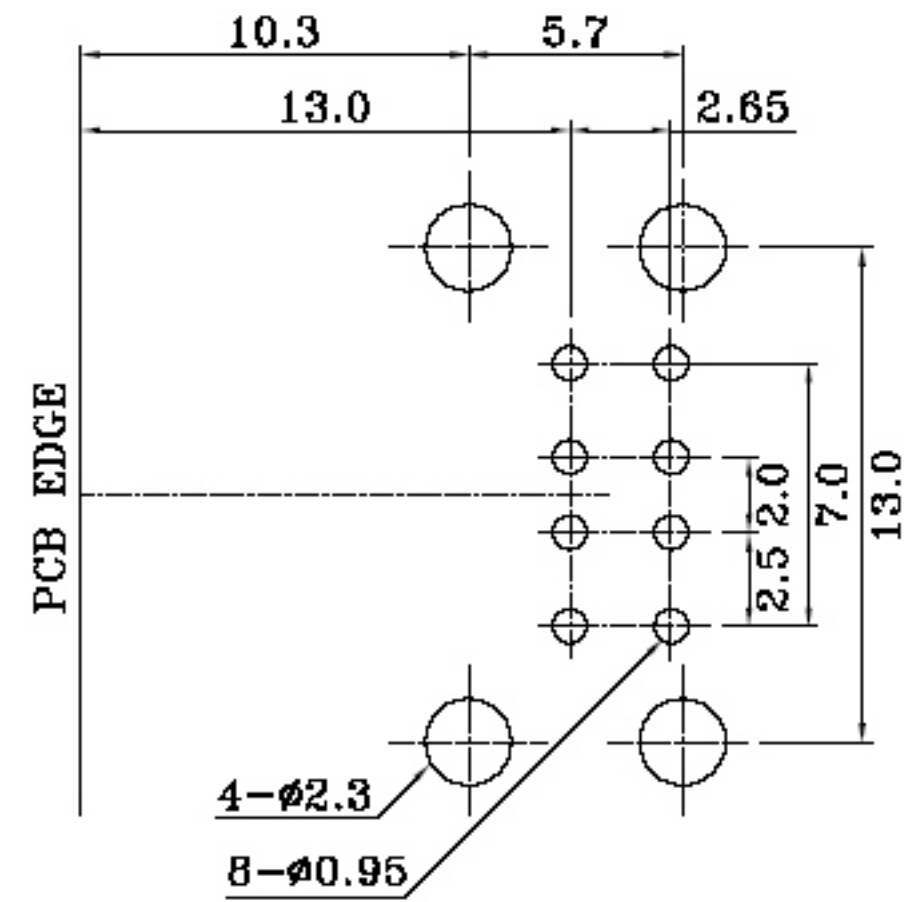
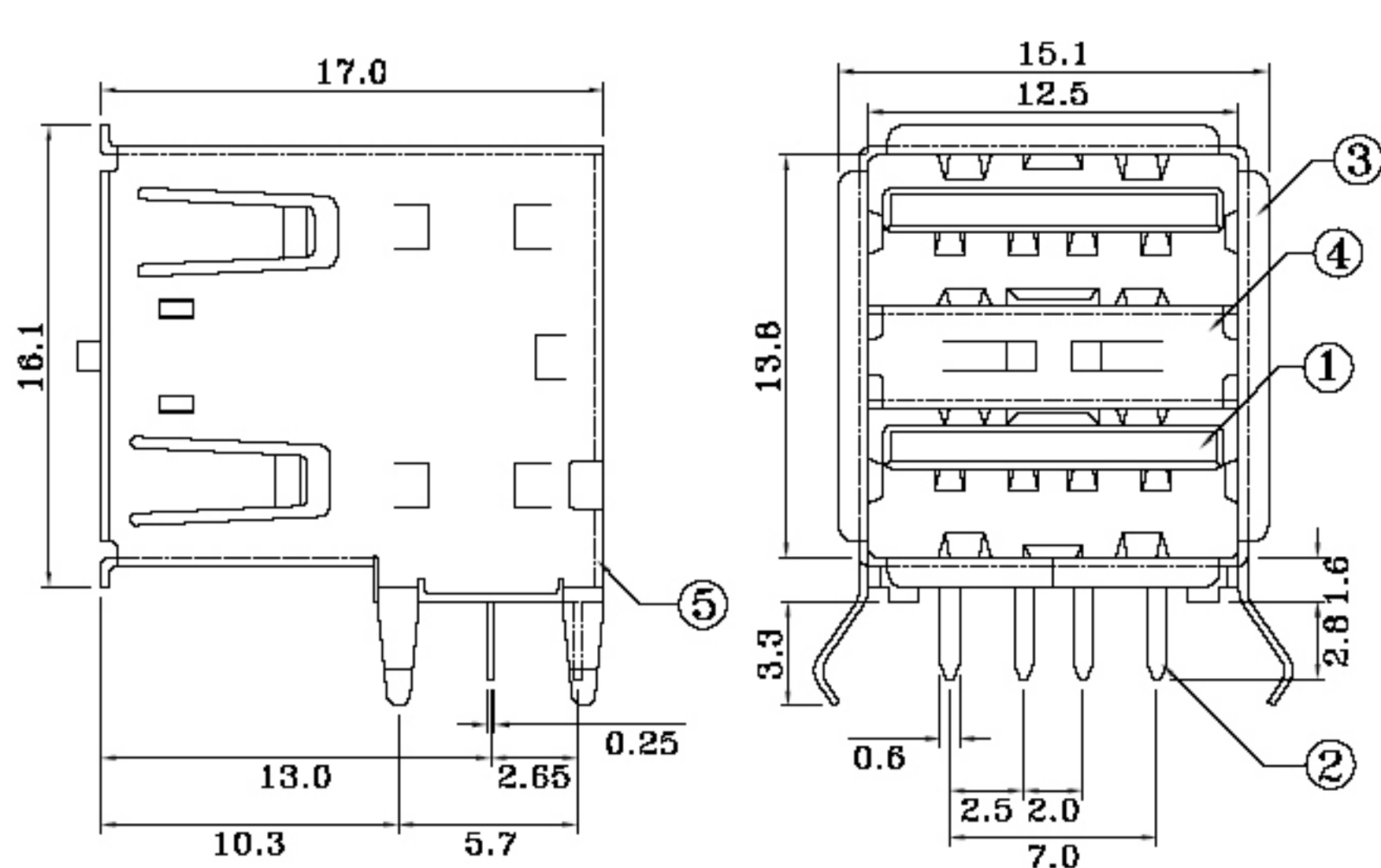


REV	ECN. NO.	APP	DATE
A	EDIÇÃO INICIAL		



PCB LAYOUT
(BOTTOM VIEW)
HOW TO ORDER:
MX-4404-AFS-90-W-8P-[]

1

1-(R) RoHS Compliant

NO.	NAME	MATERIAL	FINISH	Q'TY	REMARK
1	HOUSING	P.B.T.	BLACK/WHITE	1	
2	PIN TERM.	PHOS. BRONZE	GOLD-TIN PLATED	8	Ni:1-1.5u;TIN:3u GOLD:1-3u
3	SHELL	BRASS,0.3mm	TIN PLATED	1	TIN:3~5u
4	SHELL	BRASS,0.3mm	TIN PLATED	1	TIN:3~5u
5	SHELL	SPCC,0.3mm	NICKEL PLATED	1	

		MATRIX Tecnologia Ind. e Com. Ltda.	
UNIT mm	SCALE	TITLE USB A Type Female 90° 08 Contacts	DATE September 2007
TOLERANCE: ±0.25			APP. BY
	MATL		CHK. BY
	DWG. NO.		DR. BY Dino