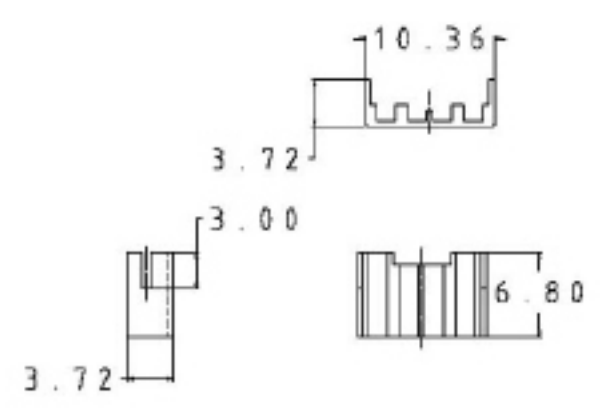
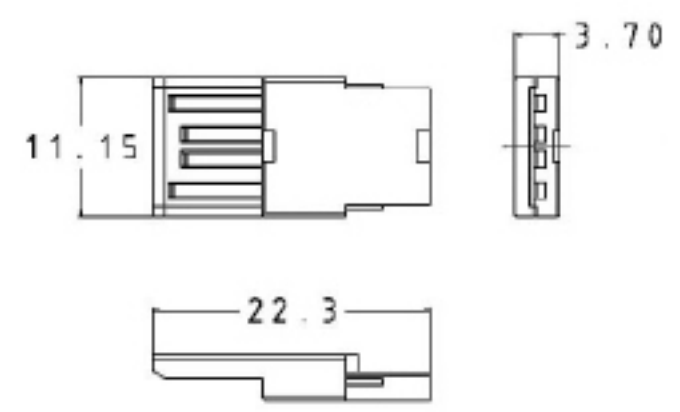


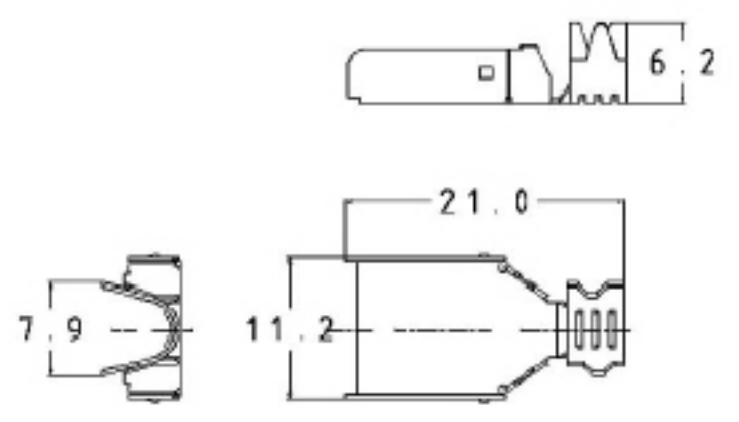
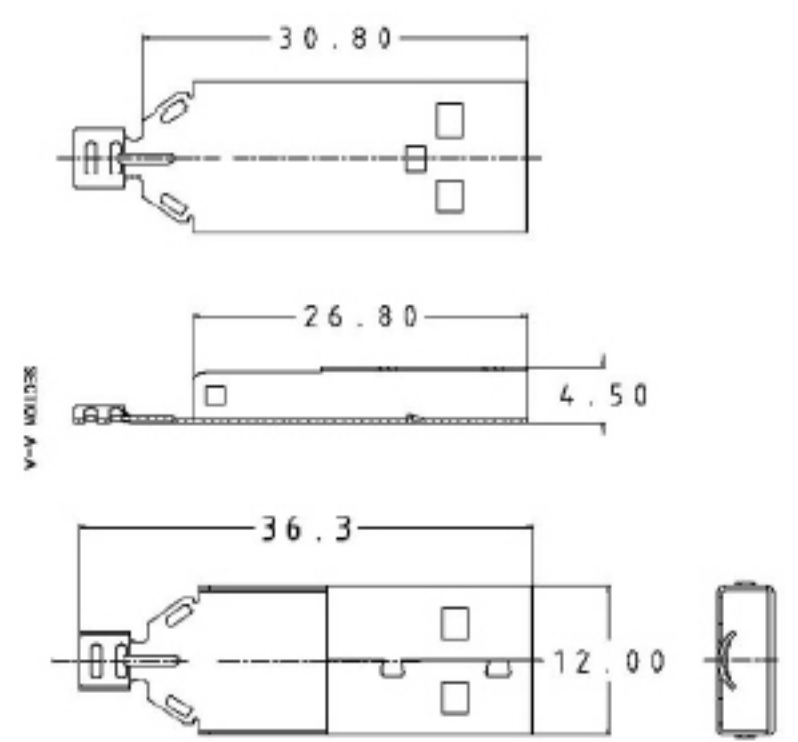
REV	ECN. NO.	APP	DATE
A	EDIÇÃO INICIAL		



ELECTRICAL CHARACTERISTICS
 Contact Current Rating: 1.5Amperes.
 Dielectric Withstanding Voltage: AC 500V at sea level.
 Insulation Resistance: 1000Megohms Min.
 Contact Resistance: 30Milliohms Max.
 Operating Temperature: -40°C to +85°C

MECHANICAL CHARCTERISTICS
 Mating Force: 3.5Kg. Maximum.
 Unmating Force: 1Kg. Minimum.

Material
 Housing: PBT .
 Shell: SPCC.
 Contact: Copper Alloy.



HOW TO ORDER:
MX-4404-A-M-C-W-04P[]
1

1- (R) RoHS Compliant

		MATRIX Tecnologia Ind. e Com. Ltda.	
UNIT mm	SCALE	TITLE USB A type Male for Cable 04 Contacts	DATE September 2007
TOLERANCE: ±0.25			APP. BY
		MATL	CHK. BY
		DWG. NO.	DR. BY Dino