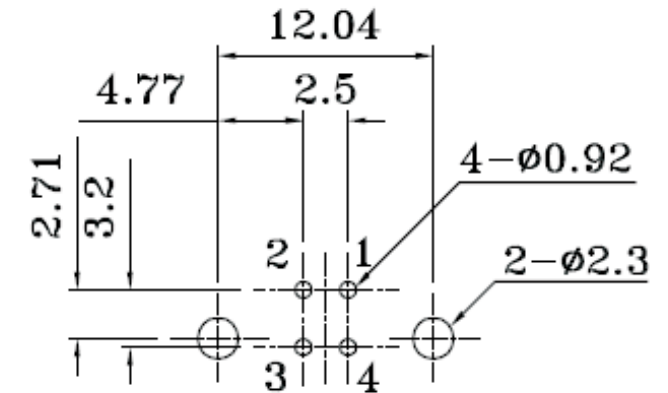
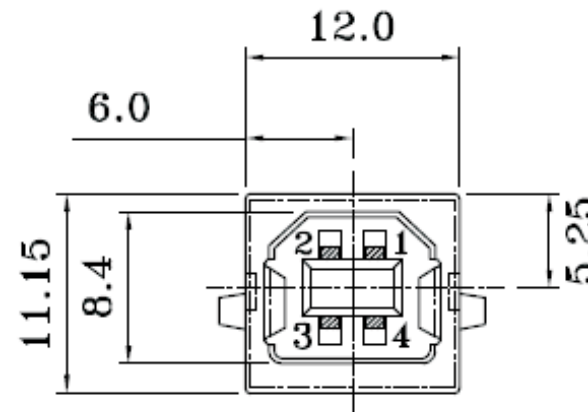
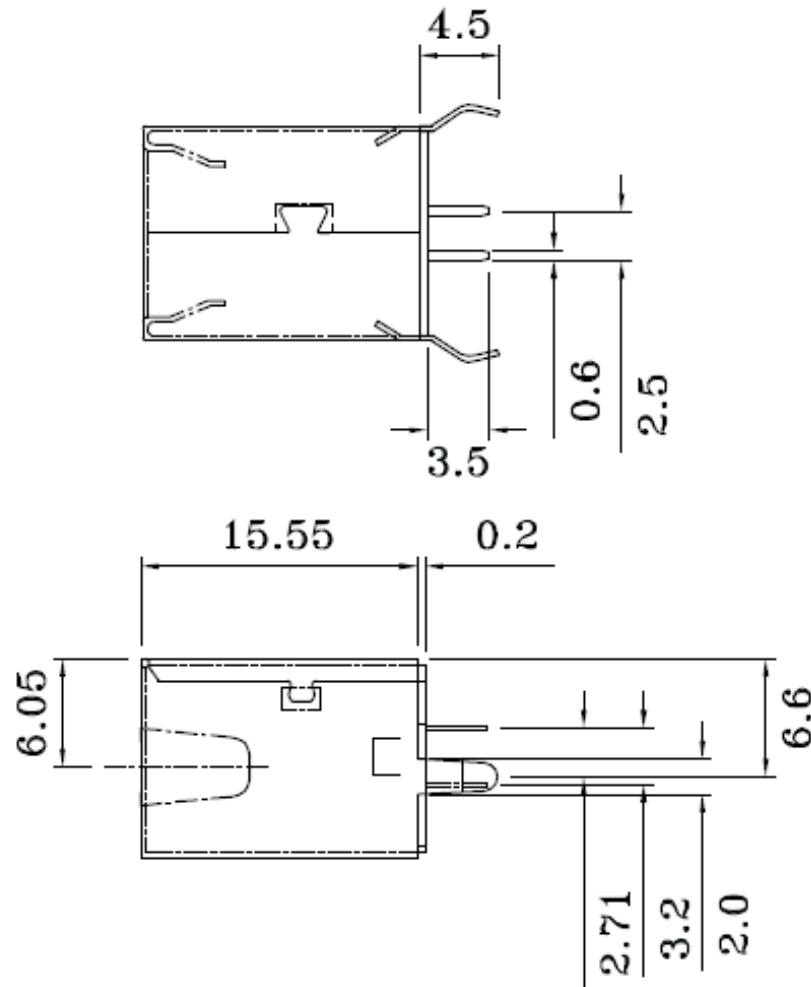


REV	ECN. NO.	APP	DATE
A	EDIÇÃO INICIAL		
B	NOVO CÓDIGO		



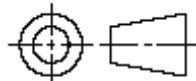
(COMPONENT SIDE)
PCB LAYOUT

**HOW TO ORDER:
4404BFSW04R**

NO.	NAME	MATERIAL	FINISH	REMARK	Q'TY
1	HOUSING	P.B.T. G.F.	WHITE / BLACK		1
2	PIN TERM.	PHOS. BRONZE T:0.25	GOLD/TIN PLATED	NI:1-1.5u;TIN:3u GOLD:1-3u"	4
3	SHELL	BRASS T:0.3	NICKEL PLATED	NI:2~3u	1
4	BOTTOM COVER	P.B.T. G.F.	WHITE		1



MATRIX Tecnologia Ind. e Com. Ltda.

UNIT	SCALE	TITLE	DATE
mm		USB B Type Female 180° 04 Contacts	JANUARY 2010
TOLERANCE: ±0.25			APP. BY
			CHK. BY
DWG. NO.			DR. BY Felipe