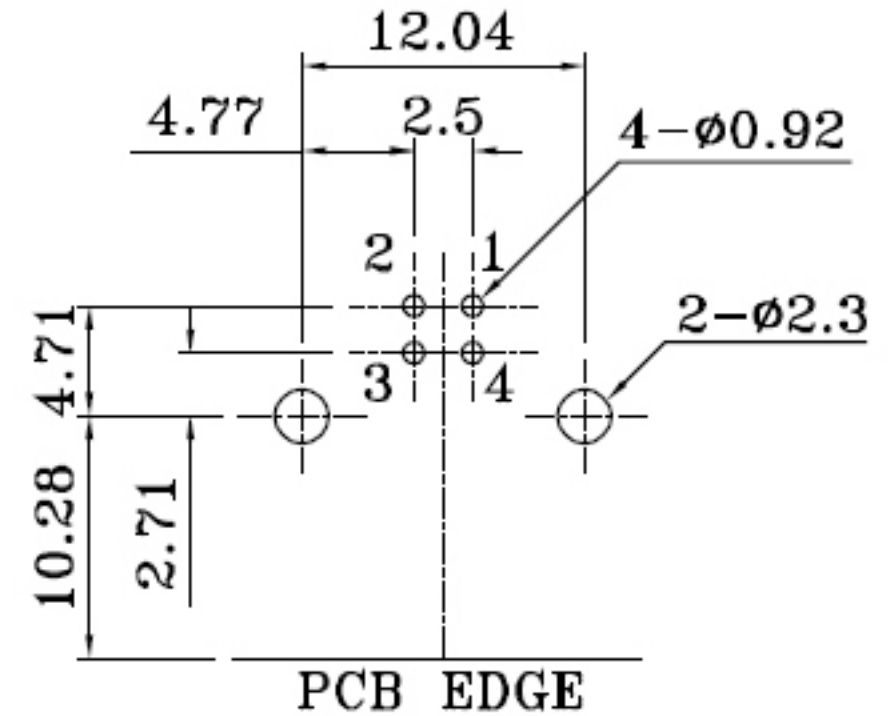
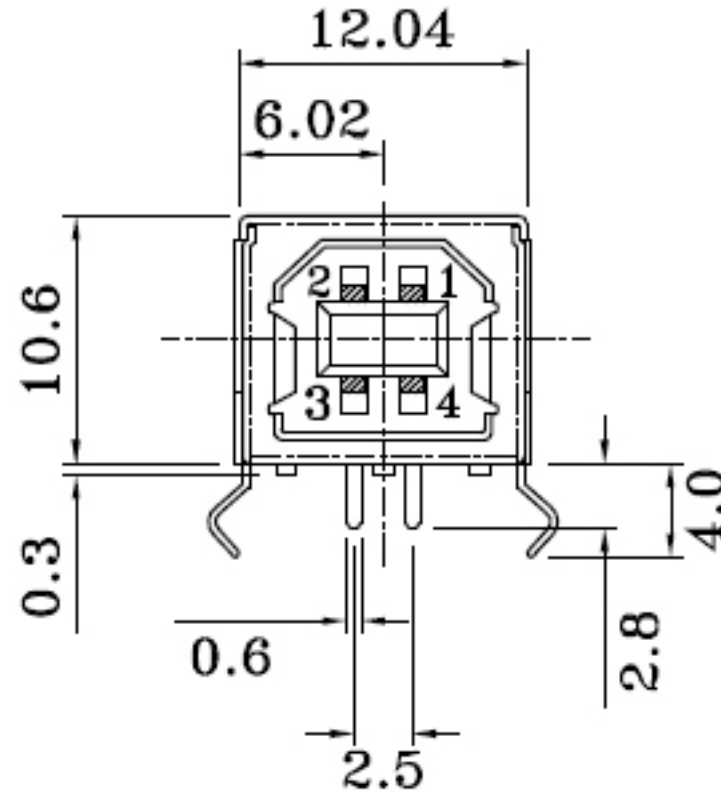
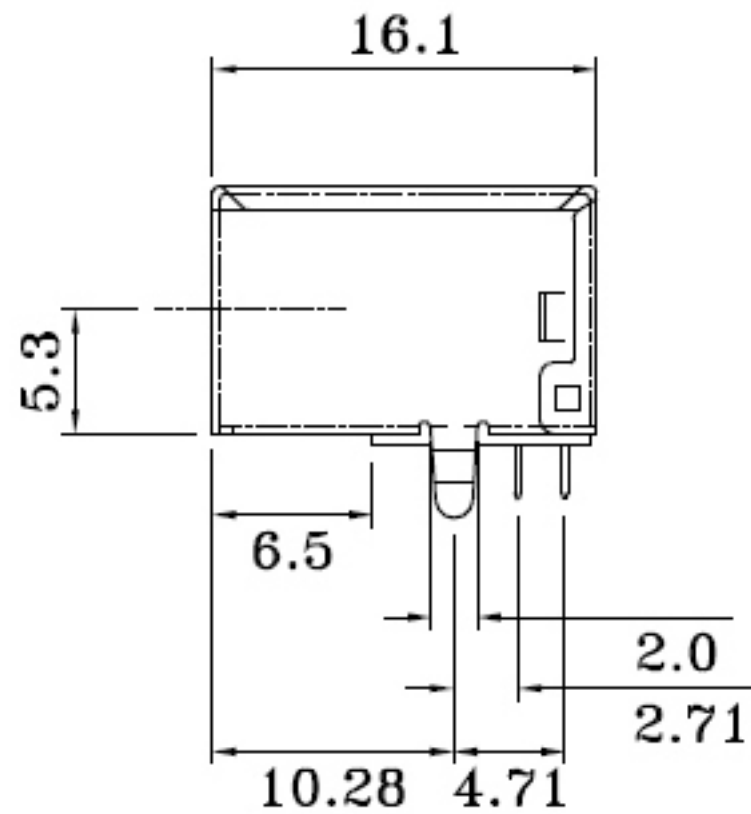
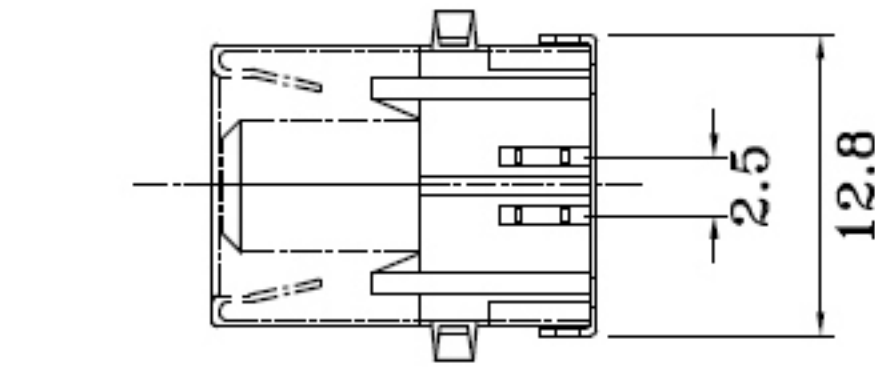


REV	ECN. NO.	APP	DATE
A	EDIÇÃO INICIAL		



(COMPONENT SIDE)
PCB LAYOUT

HOW TO ORDER:
MX-4404-B-F-90-W-04P-[]

1-(R) RoHS Compliant

1

NO.	NAME	MATERIAL	FINISH	REMARK	Q'TY
1	HOUSING	P.B.T. G.F.	BLACK& WHITE		1
2	PIN TERM.	PHOS. BRONZE T:0.25	GOLD/TIN PLATED	NI:1~1.5u;TIN:3u GOLD:1~3u"	4
3	SHELL	BRASS T:0.3	NICKEL PLATED	NI:2~3u	1



MATRIX Tecnologia Ind. e Com. Ltda.

UNIT mm	SCALE	TITLE	DATE September 2007
TOLERANCE: ±0.25		USB B Type Female 90° 04 Contacts	APP. BY
		MATL	CHK. BY
DWG. NO.			DR. BY Dino